

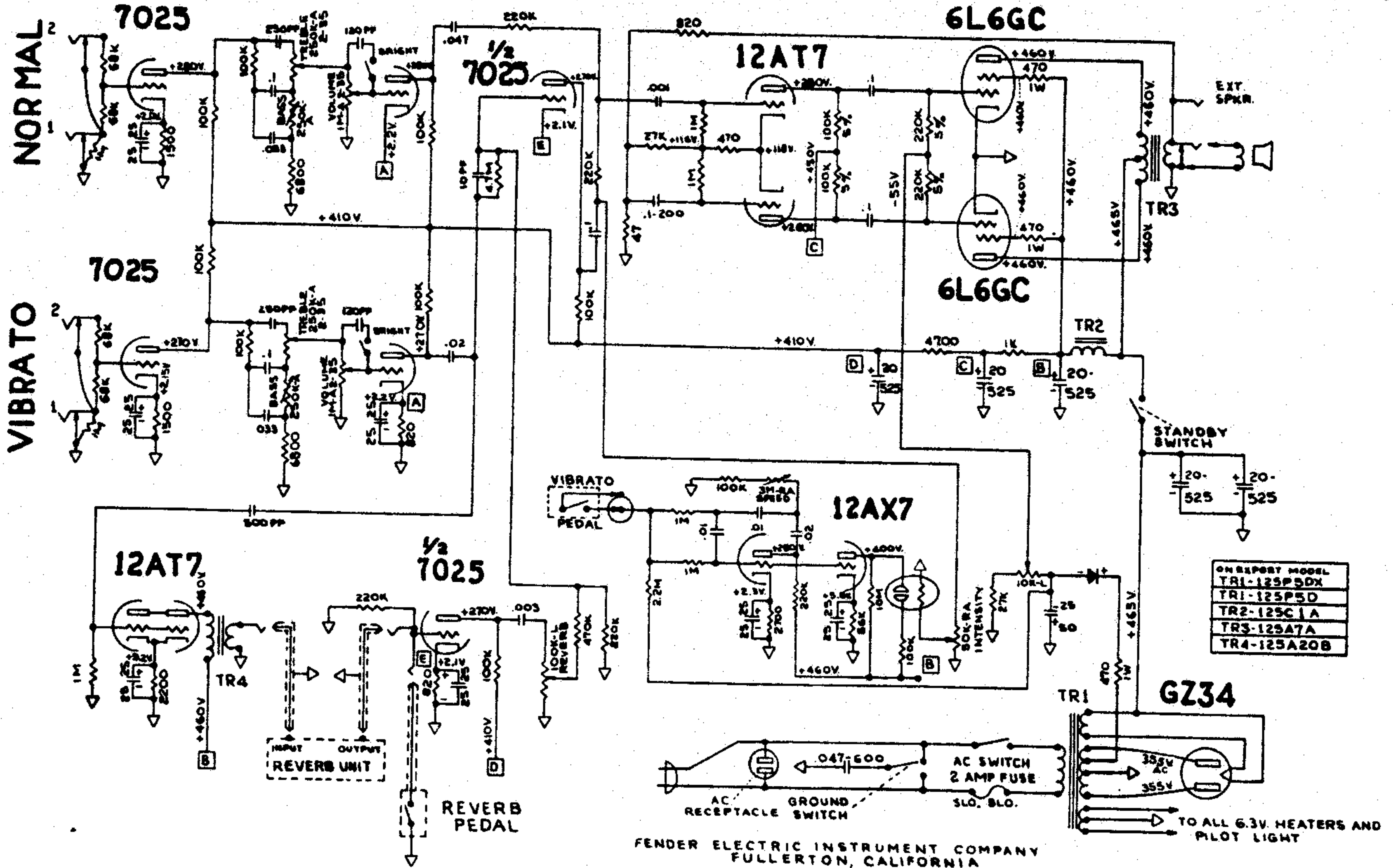
FENDER MODEL

"VIBROVERB AMP AA 763" SCHEMATIC NOTICE

THIS PRODUCT MANUFACTURED UNDER ONE OR MORE OF THE FOLLOWING U.S. PATENTS: #2817708, #2973681, 192859 / PATENTS PENDING

K - FC

1. VOLTAGES READ TO GROUND WITH ELECTRONIC VOLTMETER VALUES SHOWN + OR - 20%
2. ALL RESISTORS 1/2 WATT 10% TOLERANCE IF NOT SPECIFIED.
3. ALL CAPACITORS AT LEAST 400 VOLT RATING IF NOT SPECIFIED.



ON REPORT MODEL
TR1-125P50X
TR1-125P50
TR2-125C1A
TR3-125A7A
TR4-125A20B

FENDER ELECTRIC INSTRUMENT COMPANY
FULLERTON, CALIFORNIA