

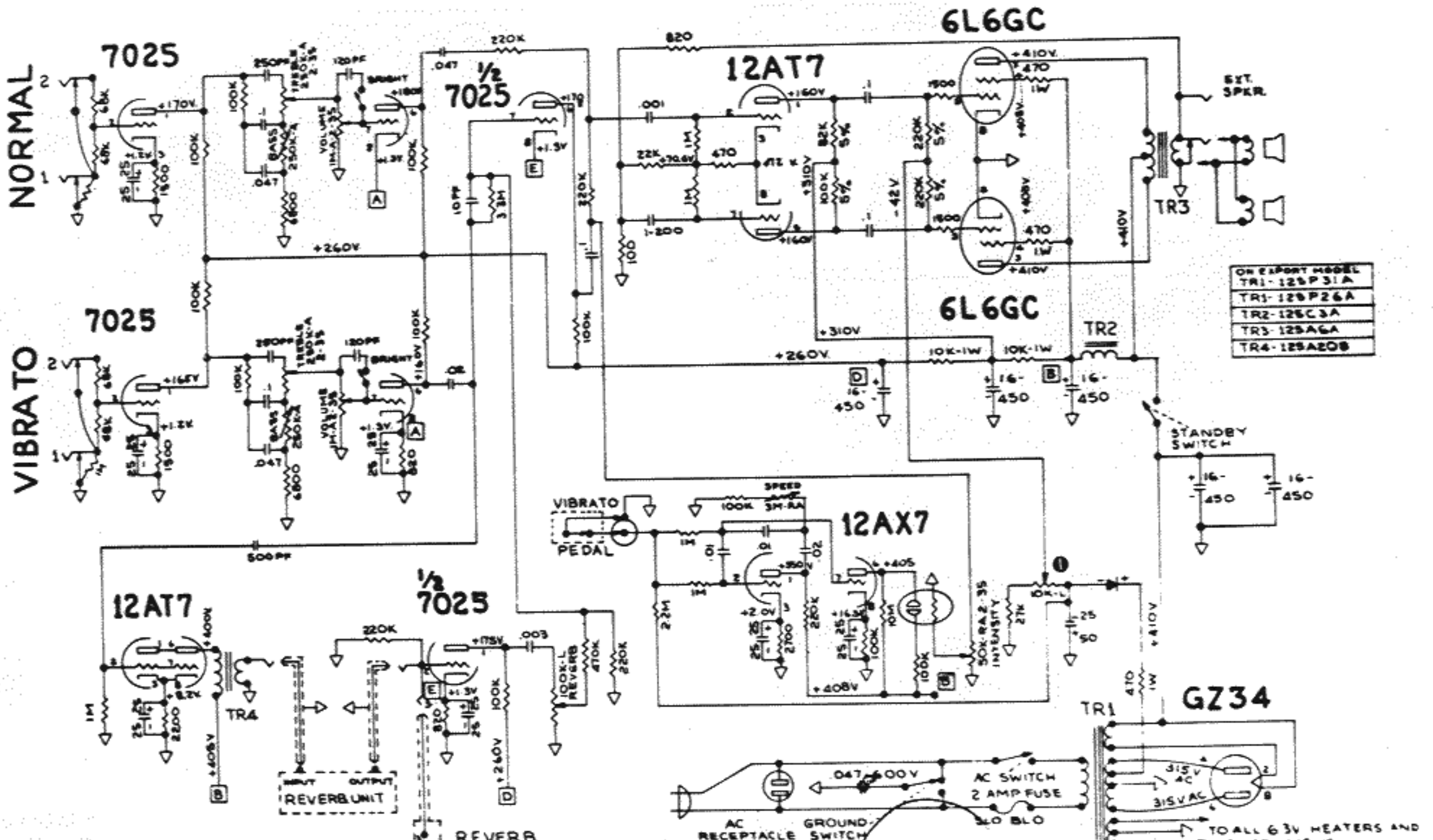
# FENDER "VIBROLUX REVERB-AMP AA964" SCHEMATIC

# NOTICE

THIS PRODUCT MANUFACTURED UNDER ONE OR MORE OF THE FOLLOWING U.S. PATENTS: #2817708, #2973481, 192859 #PATENTS PENDING.

J-FD

- 1- VOLTAGES READ TO GROUND WITH ELECTRONIC VOLTMETER VALUES SHOWN + OR - 20%.
- 2- ALL RESISTORS 1/2 WATT 10% TOLERANCE IF NOT SPECIFIED.
- 3- ALL CAPACITORS AT LEAST 400 VOLT RATING IF NOT SPECIFIED.



ON EXPORT MODEL
TR1-12BP31A
TR1-12BP26A
TR2-126C3A
TR3-12B4GA
TR4-12B4ZOB

FENDER MUSICAL INSTRUMENTS  
 A DIV. OF THE COLUMBIA RECORD CO. OF TEXAS, INC.  
 SANTA ANA, CALIFORNIA  
 U.S.A.