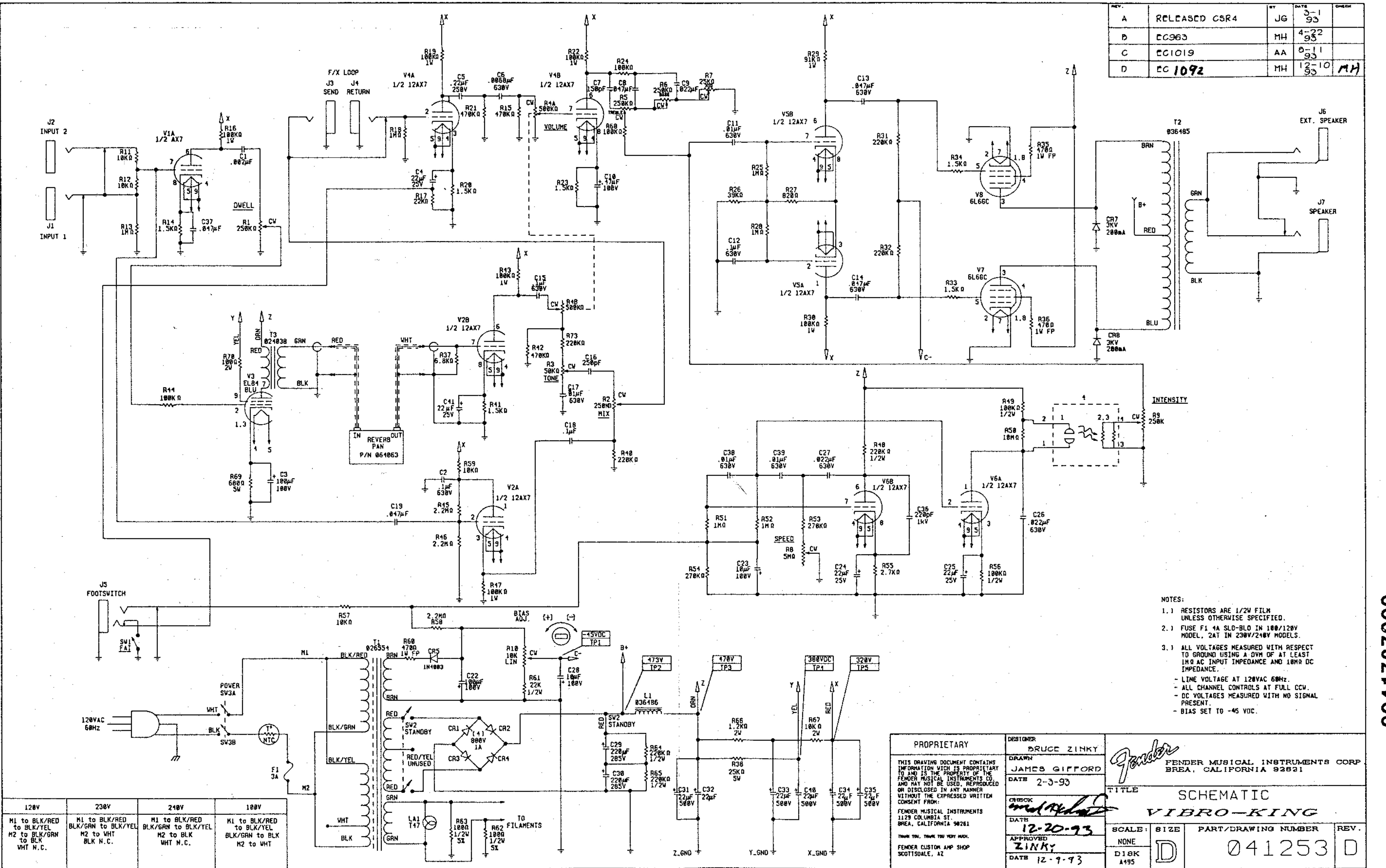


REV.	DESCRIPTION	BY	DATE	CHECK
A	RELEASED CSR4	JG	3-1-93	
B	EC963	MH	4-22-93	
C	EC1019	AA	8-11-93	
D	EC 1092	MH	12-10-93	MH



- NOTES:
- 1.1 RESISTORS ARE 1/2W FILM UNLESS OTHERWISE SPECIFIED.
 - 2.1 FUSE F1 1A SLO-BLO IN 100/120V MODEL, 2AT IN 230V/240V MODELS.
 - 3.1 ALL VOLTAGES MEASURED WITH RESPECT TO GROUND USING A DVM OF AT LEAST 1MΩ AC INPUT IMPEDANCE AND 10MΩ DC IMPEDANCE.
- LINE VOLTAGE AT 120VAC 60HZ.
 - ALL CHANNEL CONTROLS AT FULL CCW.
 - DC VOLTAGES MEASURED WITH NO SIGNAL PRESENT.
 - BIAS SET TO -45 VDC.

120V	230V	240V	100V
M1 to BLK/RED to BLK/YEL M2 to BLK/GRN to BLK N.C.	M1 to BLK/RED to BLK/YEL M2 to BLK/GRN to BLK N.C.	M1 to BLK/RED to BLK/YEL M2 to BLK/GRN to BLK N.C.	M1 to BLK/RED to BLK/YEL M2 to BLK/GRN to BLK N.C.

PROPRIETARY	DESIGNER BRUCE ZINKY		FENDER MUSICAL INSTRUMENTS CORP BREA, CALIFORNIA 92821	
THIS DRAWING DOCUMENT CONTAINS INFORMATION WHICH IS PROPRIETARY TO AND IS THE PROPERTY OF THE FENDER MUSICAL INSTRUMENTS CO. AND MAY NOT BE USED, REPRODUCED OR DISCLOSED IN ANY MANNER WITHOUT THE EXPRESSED WRITTEN CONSENT FROM: FENDER MUSICAL INSTRUMENTS 1129 COLUMBIA ST BREA, CALIFORNIA 92821 THANK YOU, THANK YOU VERY MUCH. FENDER CUSTOM AMP SHOP SCOTTSDALE, AZ	DRAWN JAMES GIFFORD		DATE 2-3-93	TITLE SCHEMATIC VIBRO-KING
	CHECK <i>[Signature]</i>	DATE 12-20-93	APPROVED ZINKY	DATE 12-9-93
	SCALE: NONE	SIZE: D	PART/DRAWING NUMBER: 041253	REV.: D

0041727000