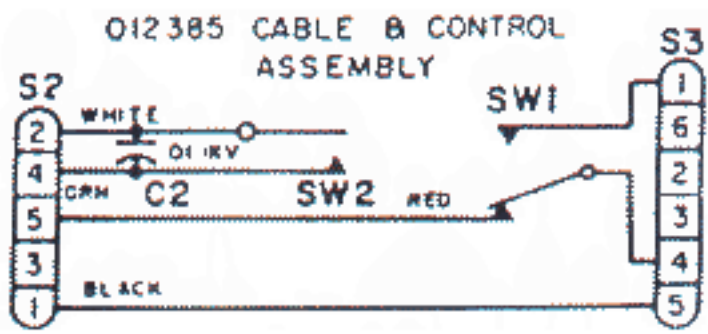
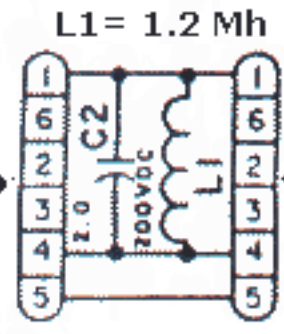


Footswitch and cables

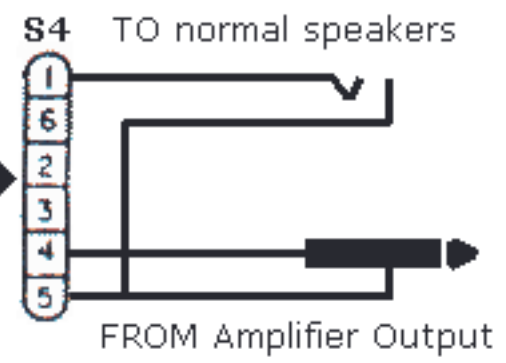


This is the tube with a 6 pin plug in each end

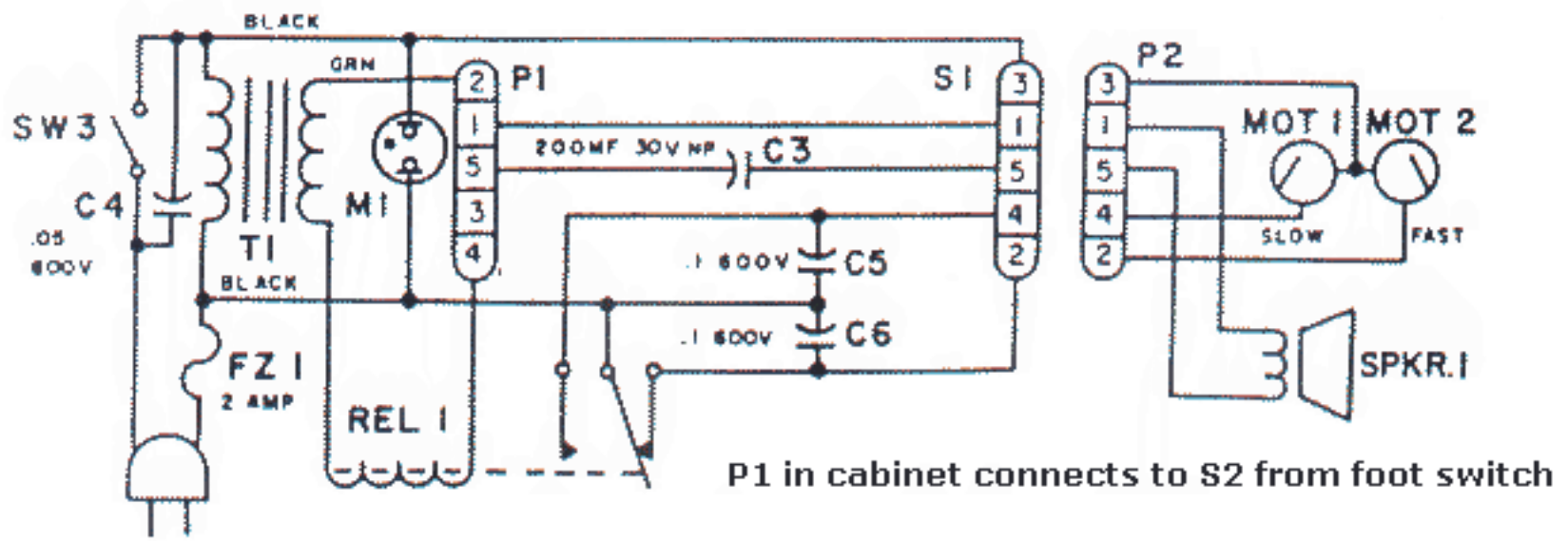
012377
CROSSOVER NETWORK



Connections to 'combo amp'



These componets are within the chassis inside the Leslie



P1 in cabinet connects to S2 from foot switch

Plug / Socket diagrams

