

REVISIONS			
REV.	DESCRIPTION	DATE	APPROVED
A	PR411	07-MAY-04	S M M
B	EC 3101	20-MAY-04	S M M

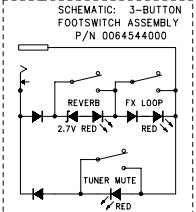
REF: ITEM D FROM CHASSIS WIRESET (064351)
NOTE: RCA CONNECTORS TO PCB AT J2 & J3

TP5, TP10-12, TP34 & TP40 ONLY: INSTALL FOOTSWITCH.
SEE TEST FOR LIT LED REQUIREMENT.

TP26-27 ONLY: INSTALL FOOTSWITCH.
FX LOOP LED ON.

WHEN FOOTSWITCH IS NOT INSTALLED:
S3 OUT: NOT MUTED / MUTE LED DARK
S3 IN: MUTED / MUTE LED FLASHING
NOTE: FOOTSWITCH DEFEATS S3

- COMPONENTS NOT INSTALLED (N.S.): C78
- LAST INSTANCES: C80, D45, J5, P4, O14, R150, S4, U16
- AC AND DC MEASUREMENTS READ TO GROUND WITH A DVM UNDER THE FOLLOWING CONDITIONS:
UNIT AT RATED LINE VOLTAGE.
P1-2 CONNECTED TO PW1-2 ON REAR PCB ASSY (P/N 006474000). P3 CONNECTED TO P13 ON PWR AMP PCB ASSY (P/N 005793000).
SWITCHES (S1 & S3-4) OUT EXCEPT WHERE NOTED.
ALL CONTROLS POINTERS SET TO 12 O'CLOCK EXCEPT REVERB. SET REVERB CONTROL FULLY CCW (MINIMUM).
FOOTSWITCH NOT CONNECTED EXCEPT WHERE NOTED.
NO INPUT SIGNAL FOR TESTS TP1-12 & TP31-34.
- ADDITIONAL CONDITIONS FOR TESTS TP13-30:
60mv RMS SINEWAVE INPUT TO J1.
- THIS SCHEMATIC IS FOR PCB FABRICATION P/N 0064344000 AND PCB ASSEMBLY P/N 0064345000.
- ALL DIODES ARE 1N4448.
- ALL POLARIZED CAPACITORS IN uF, 20% 50V MINIMUM.
- ALL UNPOLARIZED CAPACITORS IN uF, 10% OR BETTER, 50V MINIMUM. (POWER SUPPLY BYPASS CAPACITORS ARE 20%).
- ALL RESISTORS IN OHMS, 5% 1/4W.



THIS DOCUMENT CONTAINS INFORMATION OF A PROPRIETARY NATURE TO FENDER MUSICAL INSTRUMENTS AND IS SUBMITTED TO YOU IN CONFIDENCE AND SHALL NOT BE DISCLOSED OR TRANSMITTED TO OTHERS WITHOUT AUTHORIZATION FROM FENDER MUSICAL INSTRUMENTS.

Fender MUSICAL INSTRUMENTS
2621 Research Drive
Corona, CA 91720 USA

CHECKED BY: _____
DATE: _____

APPROVED BY: _____
DATE: _____

DRAWN: MARSHALL ENGR: MARSHALL
DATABASE FILE: Z41S1.SCH

TITLE: SERVICE DIAGRAM, COMBINED (schematic)
STEEL KING
PREAMP

SIZE: _____
DRAWING NUMBER: 0064343000
REV. B

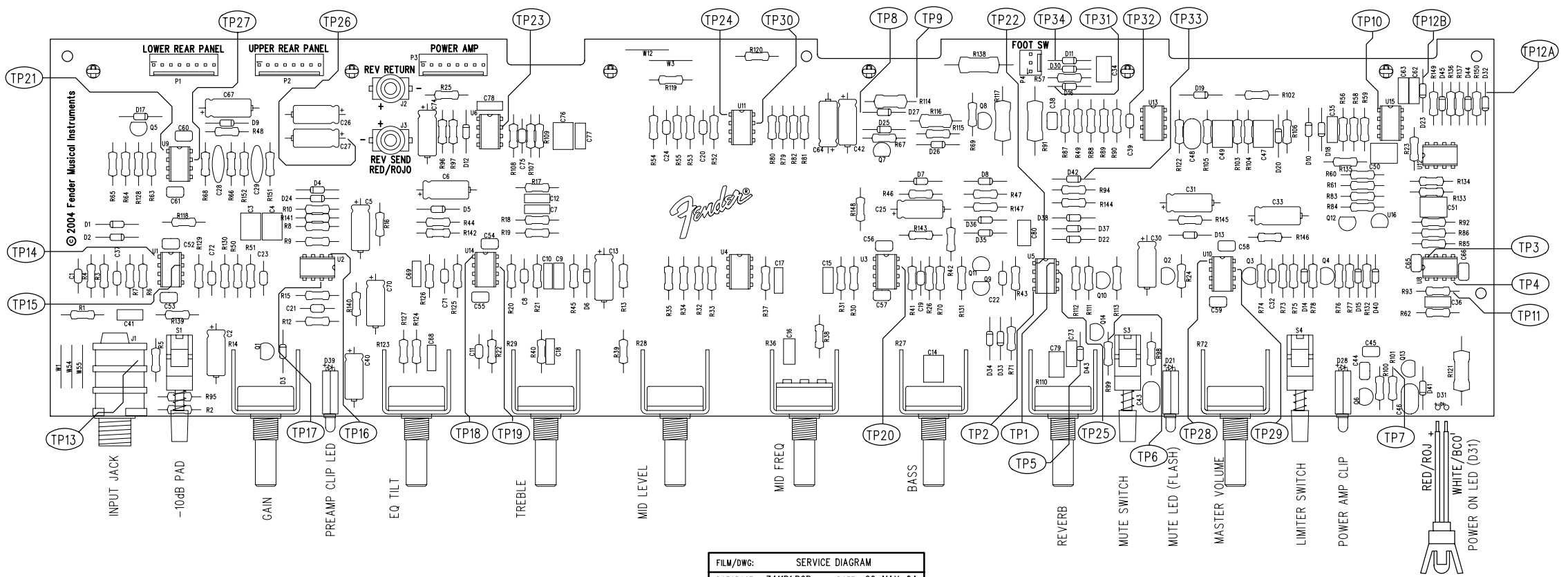
RELEASE DATE: 07-MAY-04 SHEET: 1 OF 2

NOTES: (UNLESS OTHERWISE NOTED)

8 7 6 5 4 3 2 1

REVISIONS			
REV.	DESCRIPTION	DATE	APPROVED
A	PR 411	07-MAY-04	S M M
B	EC 3101	20-MAY-04	S M M

D
C
B
A



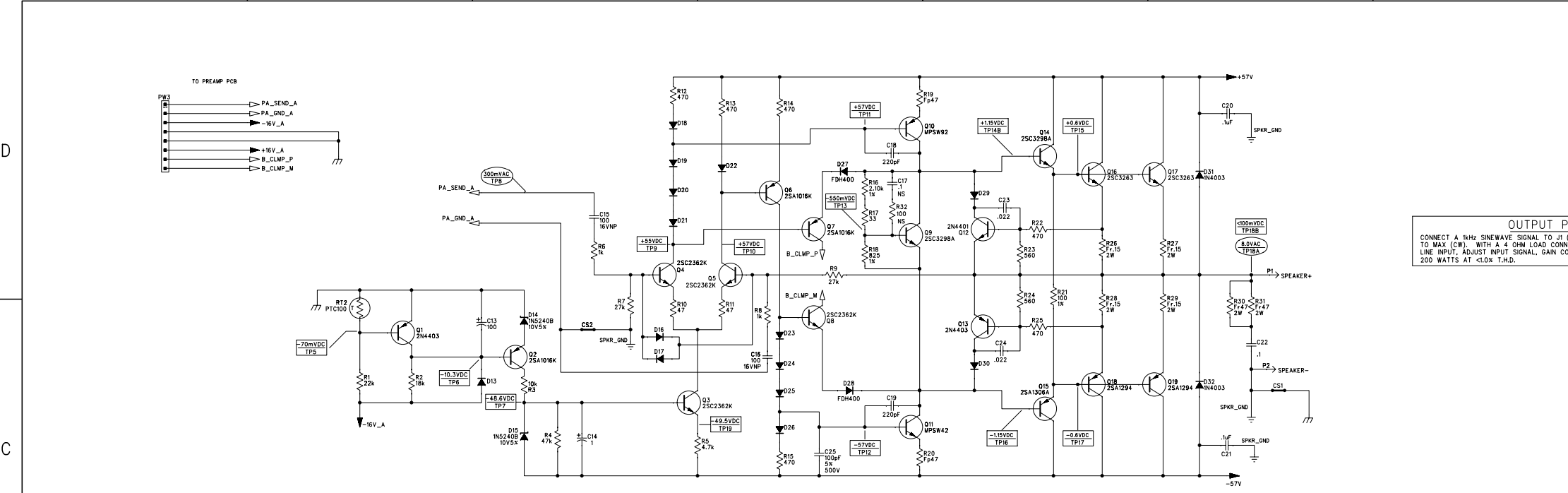
FILM/DWG: SERVICE DIAGRAM
 DATABASE: Z41P1.PCB DATE: 20-MAY-04

1. SEE SHEET 1 FOR TEST CONDITIONS AND TESTPOINT VALUES.
 NOTES: (UNLESS OTHERWISE NOTED)

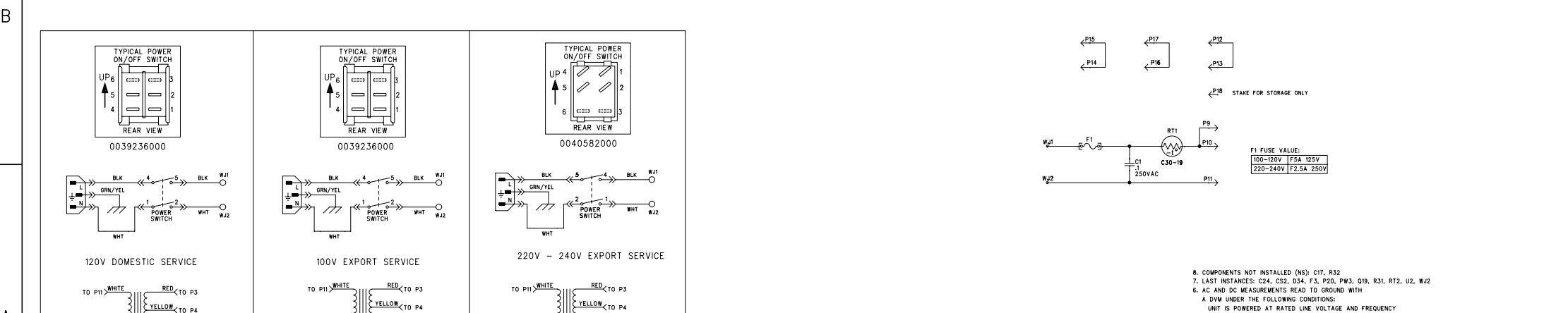
THIS DOCUMENT CONTAINS INFORMATION OF A PROPRIETARY NATURE TO FENDER MUSICAL INSTRUMENTS AND IS SUBMITTED TO YOU IN CONFIDENCE AND SHALL NOT BE DISCLOSED OR TRANSMITTED TO OTHERS WITHOUT AUTHORIZATION FROM FENDER MUSICAL INSTRUMENTS.		MUSICAL INSTRUMENTS Corona, CA U.S.A.	
CHECKED BY: _____ DATE: _____		TITLE: SERVICE DIAGRAM, COMBINED (PCB assy) STEEL KING AMP PREAMP	
APPROVED BY: _____ DATE: _____		SIZE C	DRAWING NUMBER 0064343000
DRAWN: MARSHALL ENGR: MARSHALL	DATABASE FILE: Z41P1.PCB	RELEASE DATE: 07-MAY-04	REV. B SHEET 2 OF 2

8 7 6 5 4 3 2 1

REVISIONS			
REV.	DESCRIPTION	DATE	APPROVED
A	PR 419	17-JAN-00	R B H
B	EC 2468	24-APR-00	R B H
C	EC 2522	9-AUG-00	R B H
D	EC 2706	30-JAN-02	R B H
E	EC 2987	12-SEP-03	R B H
F	PR 411	30-APR-04	S M M
G	EC 3101	20-MAY-04	S M M



OUTPUT POWER TEST:
 CONNECT A 1kHz SINWAVE SIGNAL TO J1 (FRONT PANEL). SET MASTER VOLUME ON FRONT TO MAX (CW). WITH A 4 OHM LOAD CONNECTED TO P1/P2 AND UNIT AT RATED AC LINE INPUT, ADJUST INPUT SIGNAL, GAIN CONTROL, AND MASTER VOLUME CONTROL TO VERIFY 200 WATTS AT $\le 1.0 \times T.H.D.$



1. ALL RESISTORS IN OHMS, S Ω , 1/4W.
2. ALL UNPOLARIZED CAPACITORS IN μ F, 10 \times OR BETTER; 50V MINIMUM. (POWER SUPPLY BYPASS CAPACITORS ARE 20 \times).
3. ALL POLARIZED CAPACITORS IN μ F, 20 \times ; 50V MINIMUM.
4. ALL DIODES IN4448.
5. THIS SCHEMATIC IS FOR PCB FAB P/N 0055799000 AND PCB ASSY P/N 0055792000.
6. AC AND DC MEASUREMENTS READ TO GROUND WITH A DVM UNDER THE FOLLOWING CONDITIONS:
 UNIT IS POWERED AT RATED LINE VOLTAGE AND FREQUENCY
 4 OHM RESISTIVE LOAD CONNECTED ACROSS P1-P2
 NO INPUT SIGNAL FOR TEST POINTS TP1-7 & TP9.
 ADDITIONAL CONDITIONS FOR TEST POINTS TP8-18:
 PREAMP PCB ASSY SHOULD BE SET UP PER ITS SERVICE DIAGRAM (BASSMAN 200 P/N 0055800000, STEEL KING P/N 0064343000.)
 INPUT 100mVAC RMS SINWAVE INTO PREAMP PCB ASSY - J1 (INPUT)
 NOTE: PW3 INTERCONNECTS TO P3 ON PREAMP PCB ASSY (BASSMAN 200 P/N 0055799000, STEEL KING P/N 0064343000.)
7. LAST INSTANCES: C24, CS2, D34, F3, P20, PW3, D19, R31, RT2, U2, WJ2
8. COMPONENTS NOT INSTALLED (NS): C17, R32

THIS DOCUMENT CONTAINS INFORMATION OF A PROPRIETARY NATURE TO FENDER MUSICAL INSTRUMENTS AND IS SUBMITTED TO YOU IN CONFERENCE AND SHALL NOT BE DISCLOSED OR TRANSMITTED TO OTHERS WITHOUT AUTHORIZATION FROM FENDER MUSICAL INSTRUMENTS.

Fender MUSICAL INSTRUMENTS
 Corona, CA U. S. A.

CHECKED BY: _____
 DATE: _____

APPROVED BY: _____
 DATE: _____

DRAWN: R. HAACK ENGR: R. HAACK
 DATABASE FILE: Z419S2.SCH

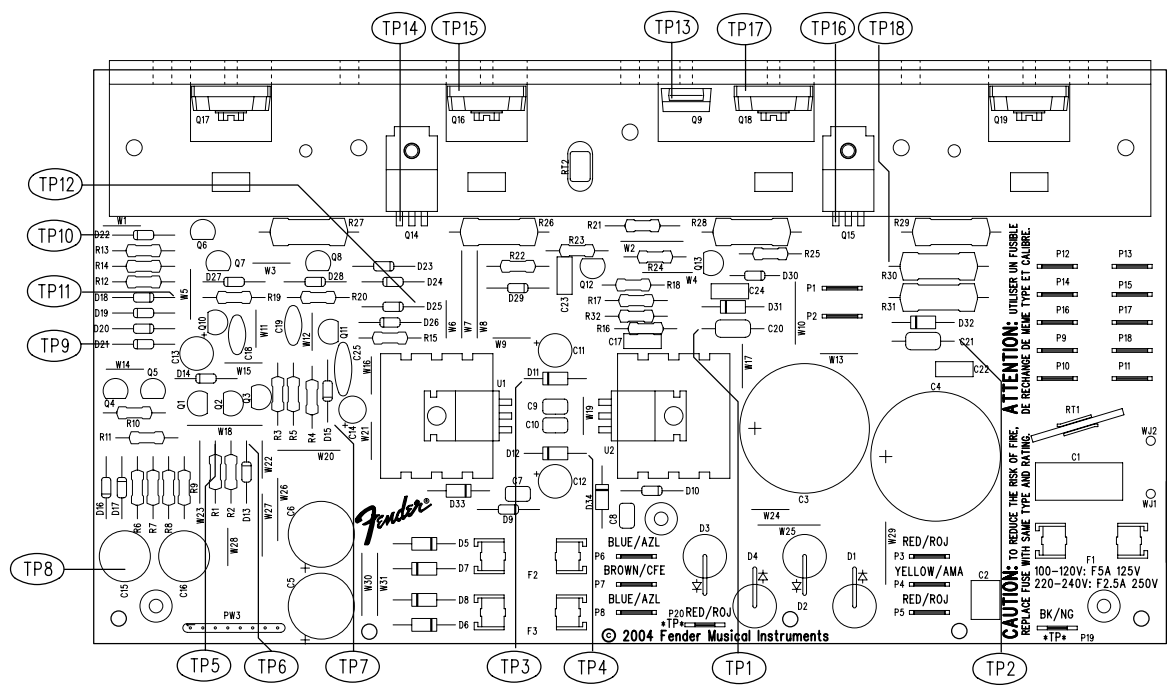
TITLE: SERVICE DIAGRAM, COMBINED (schematic)
 BASSMAN 200
 POWER AMP

SIZE: **D** DRAWING NUMBER: **0055793000** REV. **G**

RELEASE DATE: 17-JAN-04 SHEET: 1 OF 2

8 | 7 | 6 | 5 | 4 | 3 | 2 | 1

D
C
B
A



REVISIONS			
REV.	DESCRIPTION	DATE	APPROVED
A	PR419	17-JAN-00	R B H
B	EC2468	24-APR-00	R B H
C	EC2522	09-AUG-00	R B H
D	EC2706	30-JAN-02	R B H
E	EC2987	12-SEP-03	R B H
F	PR411	07-MAY-04	S M M
G	EC 3101	20-MAY-04	S M M

FILM/DWG: SERVICE DIAGRAM
 DATABASE: Z419P3.PCB DATE: 07-MAY-04

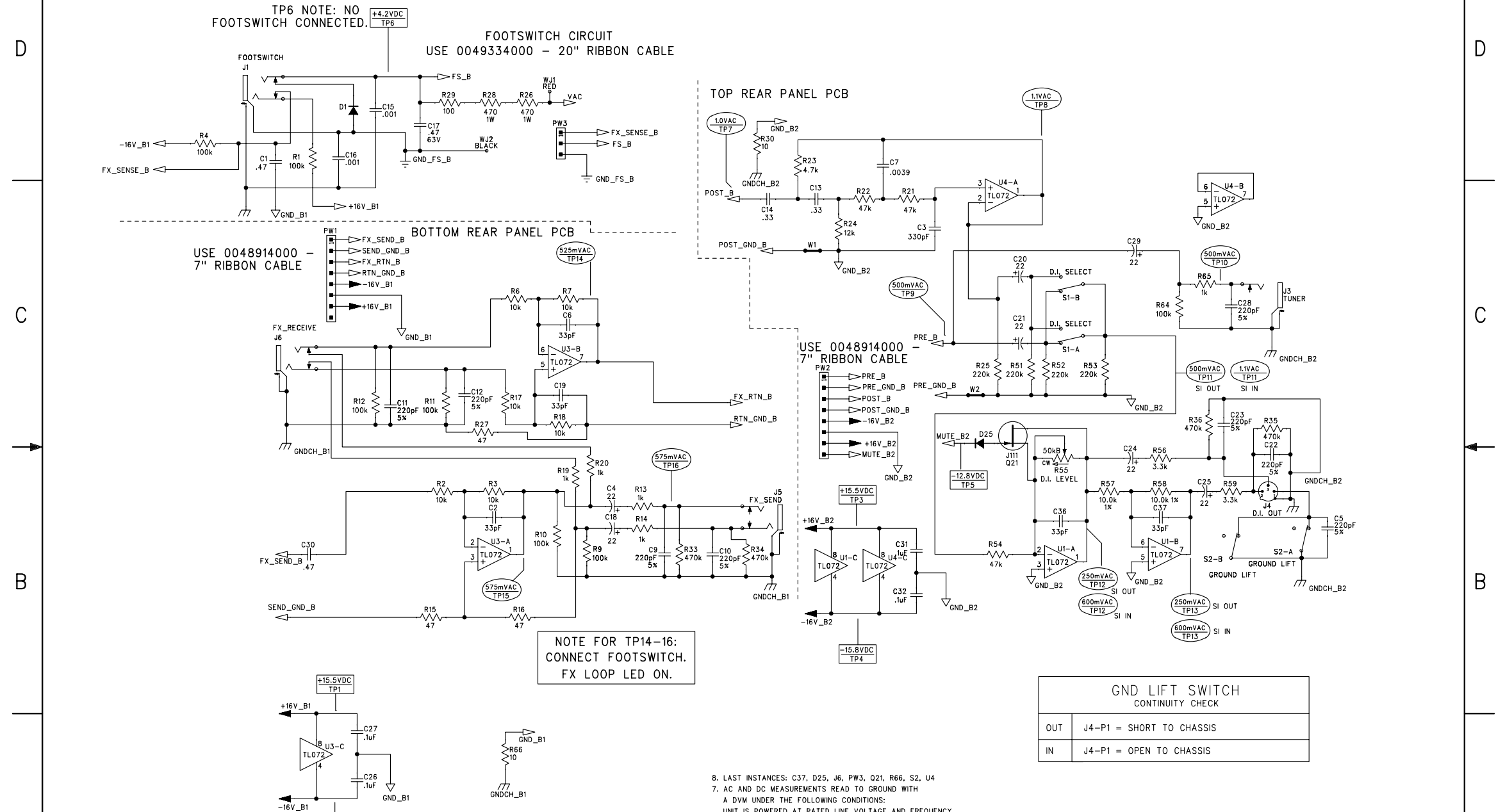
- 2. RIBBON CABLE AT PW3 CONNECTS TO PREAMP PCB ASSY P3
- 1. SEE SHEET 1 FOR PRIMARY WIRING, TEST CONDITIONS, AND TEST POINT VALUES

NOTES: (UNLESS OTHERWISE NOTED)

THIS DOCUMENT CONTAINS INFORMATION OF A PROPRIETARY NATURE TO FENDER MUSICAL INSTRUMENTS AND IS SUBMITTED TO YOU IN CONFIDENCE AND SHALL NOT BE DISCLOSED OR TRANSMITTED TO OTHERS WITHOUT AUTHORIZATION FROM FENDER MUSICAL INSTRUMENTS.		MUSICAL INSTRUMENTS Corona, CA U. S. A.	
CHECKED BY: _____		TITLE: SERVICE DIAGRAM, COMBINED (PCB assy) BASSMAN 200 POWER AMP	
DATE: _____		SIZE C	REV. G
APPROVED BY: _____		DRAWING NUMBER 0055793000	
DATE: _____		SHEET 2 OF 2	
DRAWN: R. HAACK	ENGR: R. HAACK	RELEASE DATE: 17-JAN-00	
DATABASE FILE: Z419P3.PCB			

8 | 7 | 6 | 5 | 4 | 3 | 2 | 1

REVISIONS			
REV.	DESCRIPTION	DATE	APPROVED
A	PR411	07-MAY-04	S M M
B	EC 3101	20-MAY-04	S M M



TP6 NOTE: NO FOOTSWITCH CONNECTED.
 FOOTSWITCH CIRCUIT
 USE 0049334000 - 20" RIBBON CABLE

USE 0048914000 - 7" RIBBON CABLE
 BOTTOM REAR PANEL PCB

USE 0048914000 - 7" RIBBON CABLE
 TOP REAR PANEL PCB

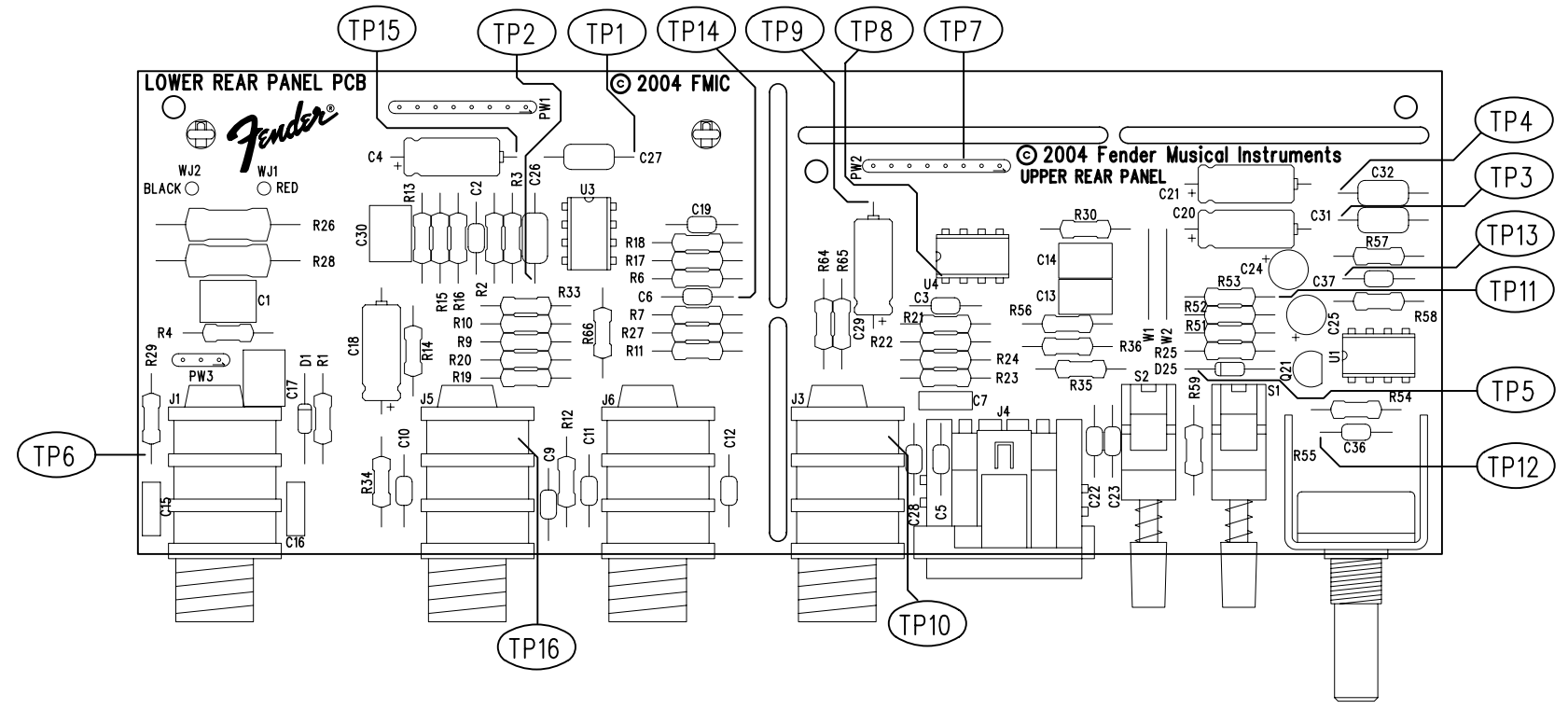
NOTE FOR TP14-16:
 CONNECT FOOTSWITCH.
 FX LOOP LED ON.

GND LIFT SWITCH CONTINUITY CHECK	
OUT	J4-P1 = SHORT TO CHASSIS
IN	J4-P1 = OPEN TO CHASSIS

1. ALL RESISTORS IN OHMS, 5%: 1/4W.
 2. ALL UNPOLARIZED CAPACITORS IN uF, 10% OR BETTER; 50V MINIMUM. (POWER SUPPLY BYPASS CAPACITORS ARE 20%).
 3. ALL POLARIZED CAPACITORS IN uF, 20%; 50V MINIMUM.
 4. ALL DIODES ARE 1N4448.
 5. THIS SCHEMATIC IS FOR PCB FABRICATION P/N 0064346000 AND PCB ASSEMBLY P/N 0064347000.
 6. PW1 AND PW2 CONNECT TO P1 AND P2 ON PREAMP PCB ASSY (P/N 0064345000).
 7. AC AND DC MEASUREMENTS READ TO GROUND WITH A DVM UNDER THE FOLLOWING CONDITIONS:
 UNIT IS POWERED AT RATED LINE VOLTAGE AND FREQUENCY
 PREAMP PCB ASSY SHOULD BE SET UP PER ITS SERVICE DIAGRAM (P/N 0064343000)
 REAR PANEL SWITCHES OUT (S1-2) EXCEPT WHERE NOTED.
 8. LAST INSTANCES: C37, D25, J6, PW3, Q21, R66, S2, U4
- NOTES: (UNLESS OTHERWISE NOTED)


THIS DOCUMENT CONTAINS INFORMATION OF A PROPRIETARY NATURE TO FENDER MUSICAL INSTRUMENTS AND IS SUBMITTED TO YOU IN CONFIDENCE AND SHALL NOT BE DISCLOSED OR TRANSMITTED TO OTHERS WITHOUT AUTHORIZATION FROM FENDER MUSICAL INSTRUMENTS.		MUSICAL INSTRUMENTS Corona, CA U.S.A.	
CHECKED BY: _____ DATE: _____		TITLE: SERVICE DIAGRAM, COMBINED (schematic) STEEL KING REAR PANEL PCB	
APPROVED BY: _____ DATE: _____		SIZE: C	DRAWING NUMBER: 0064348000
DRAWN: GITLO	ENGR: GITLO	RELEASE DATE: 07-MAY-04	SHEET: 1 OF 2
DATABASE FILE: Z41S2.SCH		REV. B	

REVISIONS			
REV.	DESCRIPTION	DATE	APPROVED
A	PR 411	07-MAY-04	S M M
B	EC 3101	20-MAY-04	S M M



FILM/DWG: SERVICE DIAGRAM
 DATABASE: Z41P2.PCB DATE: 20-MAY-04

1. SEE SHEET 1 FOR TEST CONDITIONS AND TEST POINT VALUES.
 NOTES: (UNLESS OTHERWISE NOTED)

THIS DOCUMENT CONTAINS INFORMATION OF A PROPRIETARY NATURE TO FENDER MUSICAL INSTRUMENTS AND IS SUBMITTED TO YOU IN CONFIDENCE AND SHALL NOT BE DISCLOSED OR TRANSMITTED TO OTHERS WITHOUT AUTHORIZATION FROM FENDER MUSICAL INSTRUMENTS.		 MUSICAL INSTRUMENTS Corona, CA U.S.A.	
CHECKED BY: _____ DATE: _____		TITLE: SERVICE DIAGRAM, COMBINED (PCB assy) STEEL KING AMP REAR PANEL PCB	
APPROVED BY: _____ DATE: _____		SIZE B	DRAWING NUMBER 0064348000
DRAWN: MARSHALL	ENGR: MARSHALL	REV. B	
DATABASE FILE: Z41P2.PCB		RELEASE DATE: 07-MAY-04	SHEET 2 OF 2