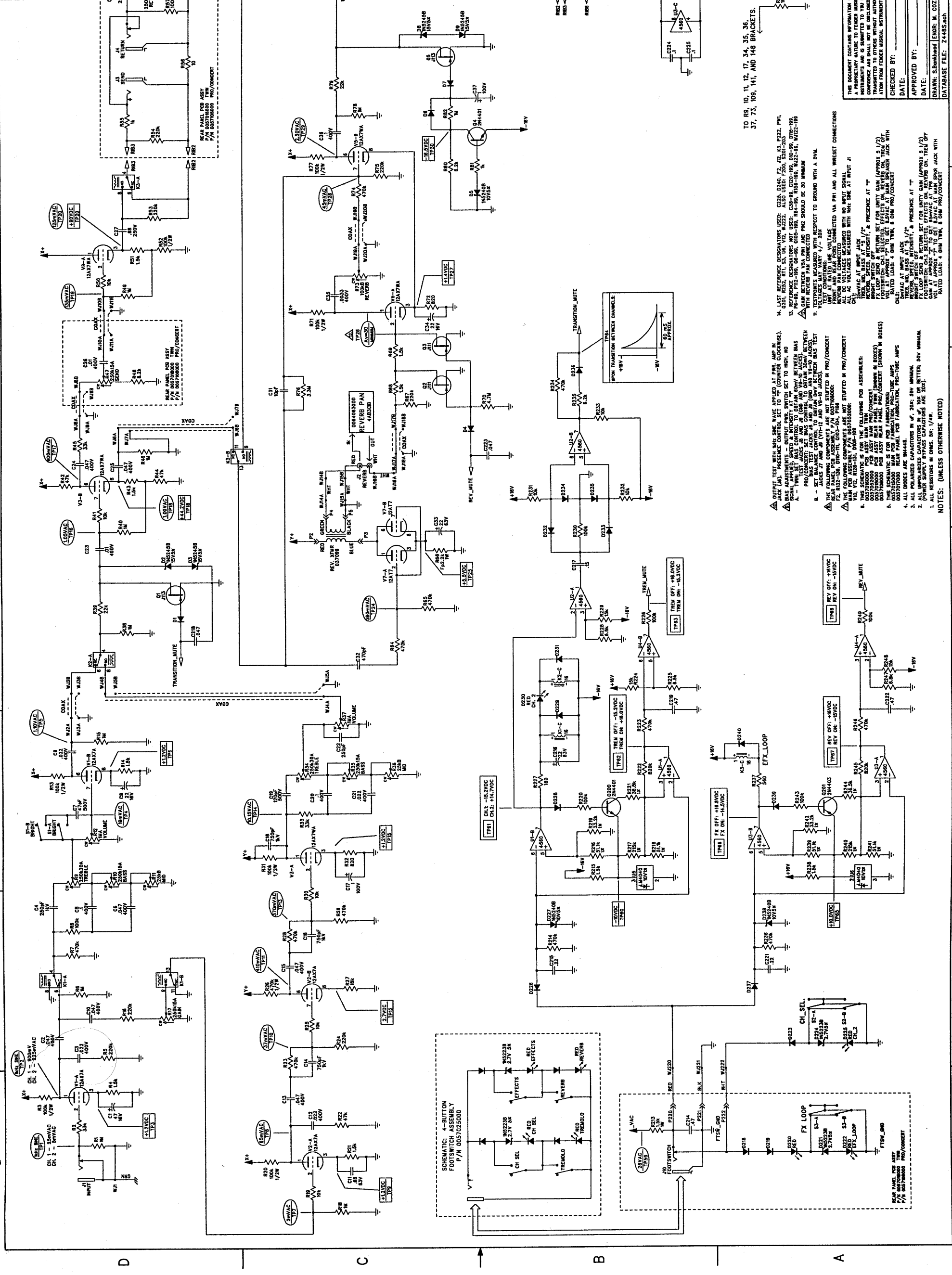


REV.	DESCRIPTION	DATE	APPROVED
A	PR448	16-OCT-00	S.M.B.
B	EC 2606	23-FEB-01	S.M.B.



MUSICAL INSTRUMENTS
Corona, CA USA

TITLE: SERVICE DIAGRAM, COMBINED (+channel)
PRE-AMP

REV. B

SIZE D 005701400

DATE: 16-OCT-00

RELEASE DATE: 16-OCT-00

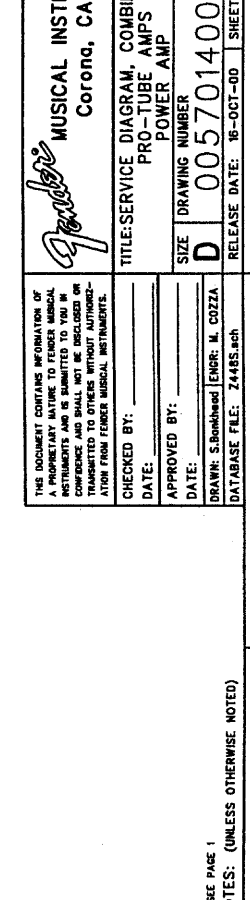
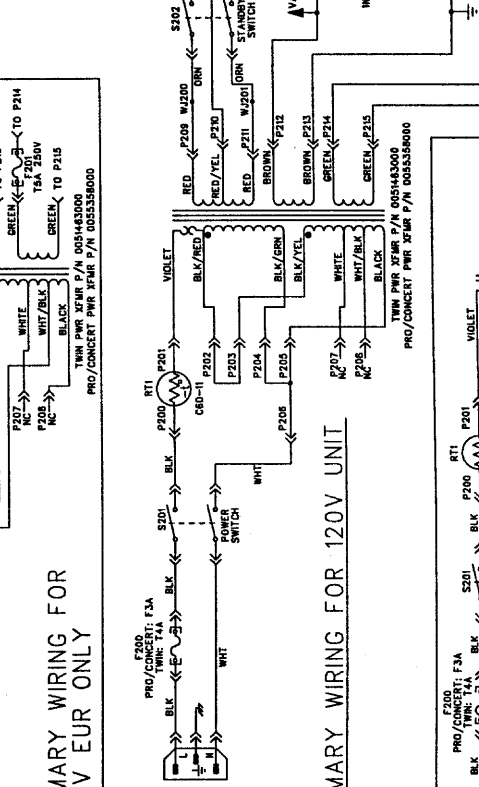
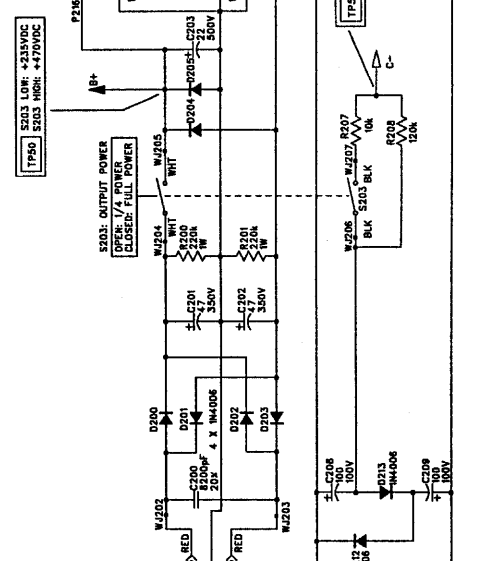
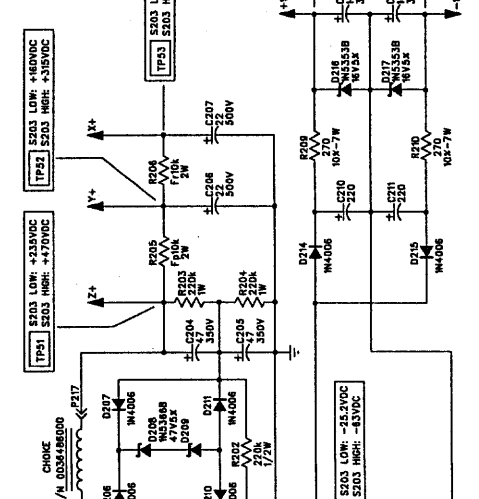
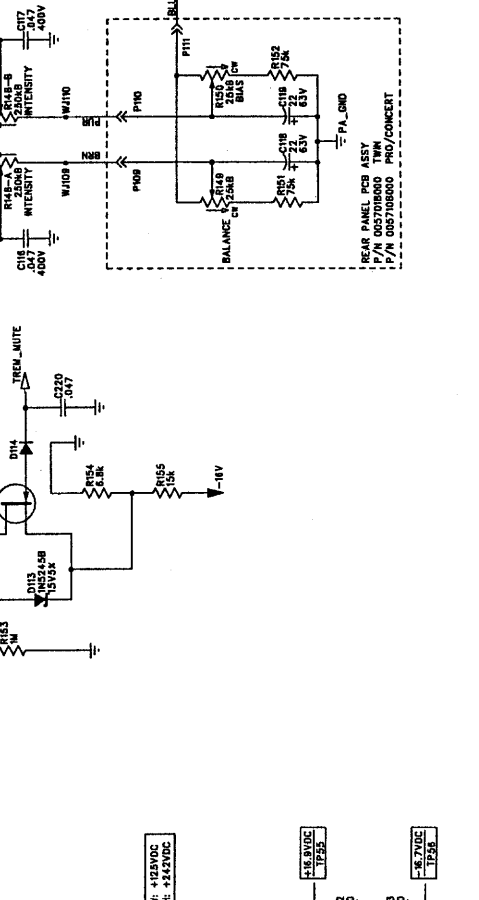
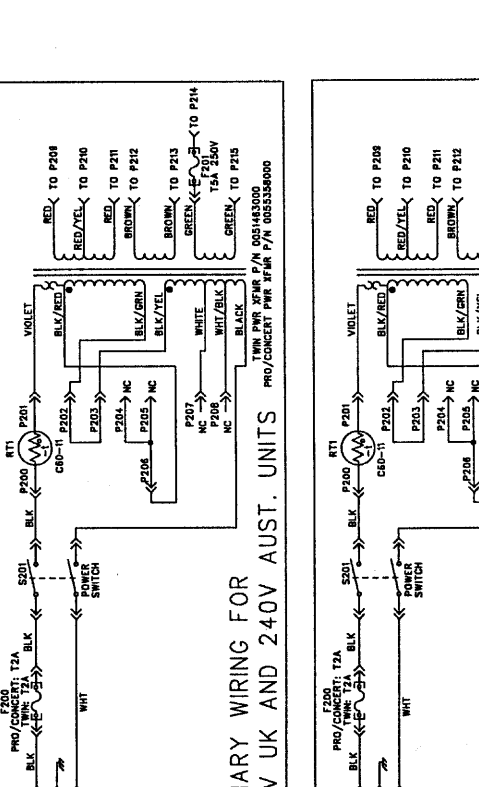
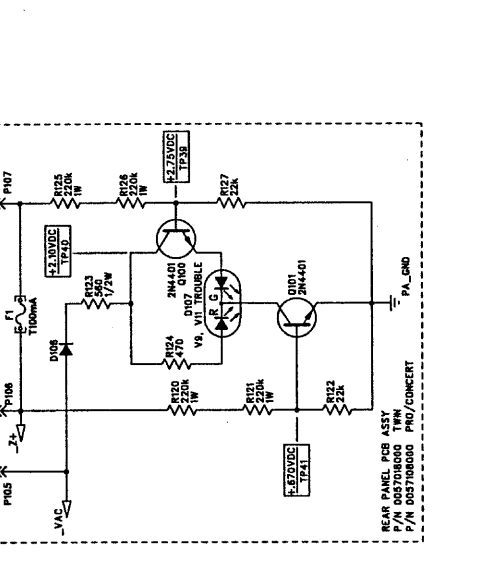
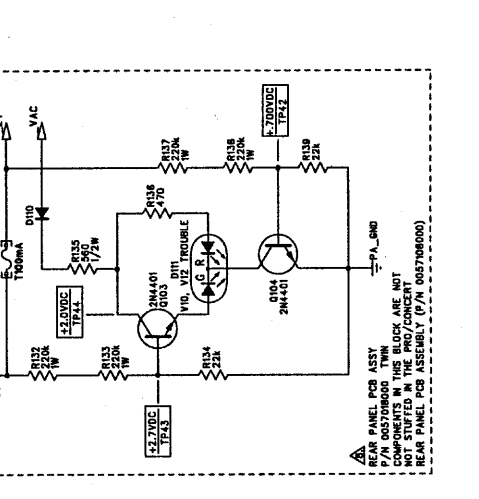
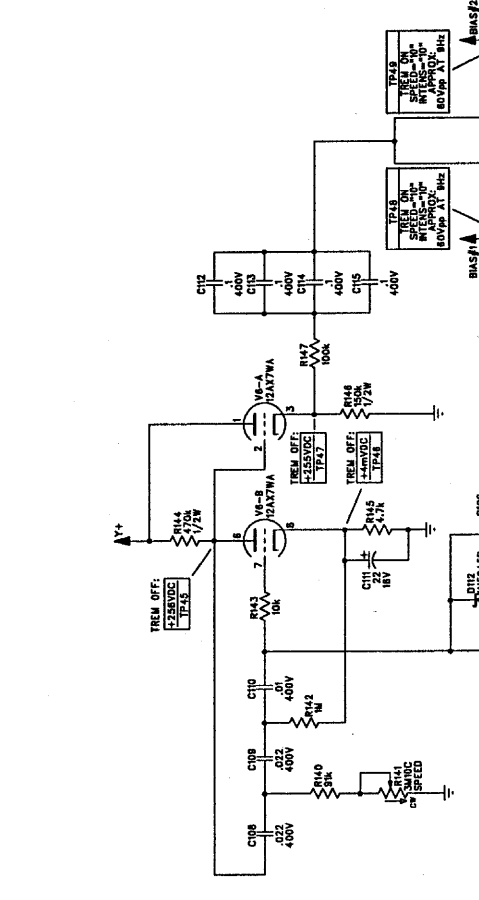
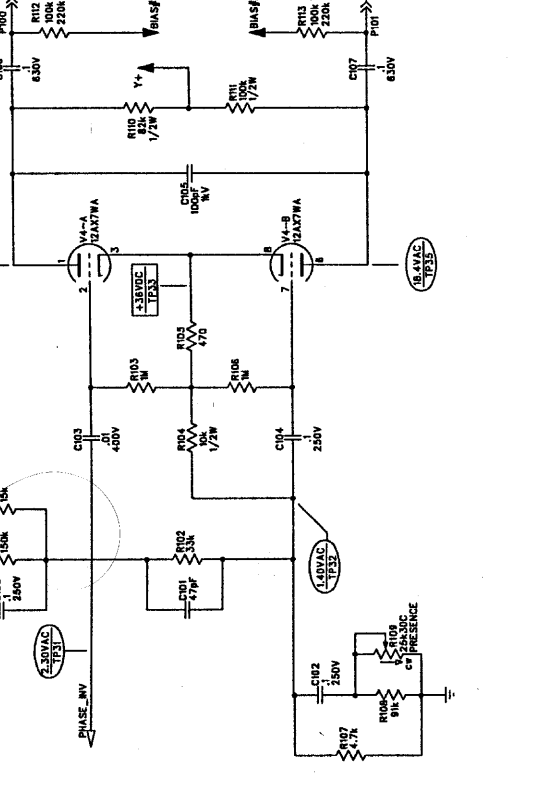
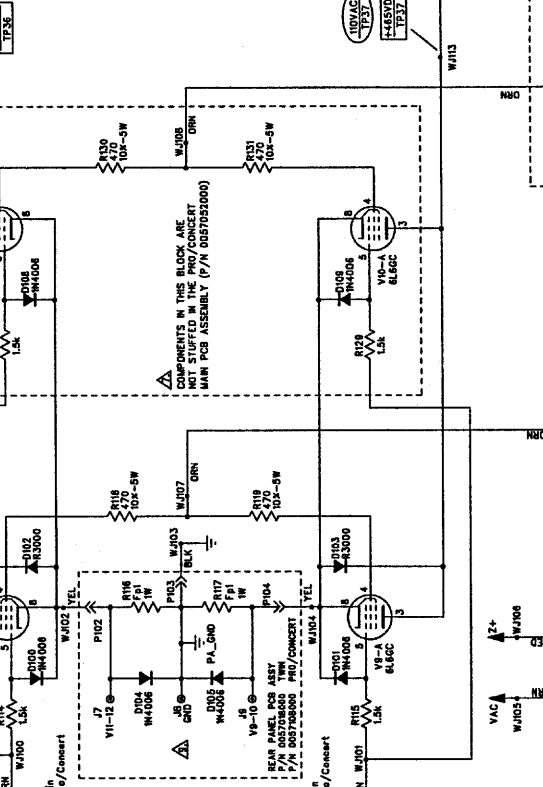
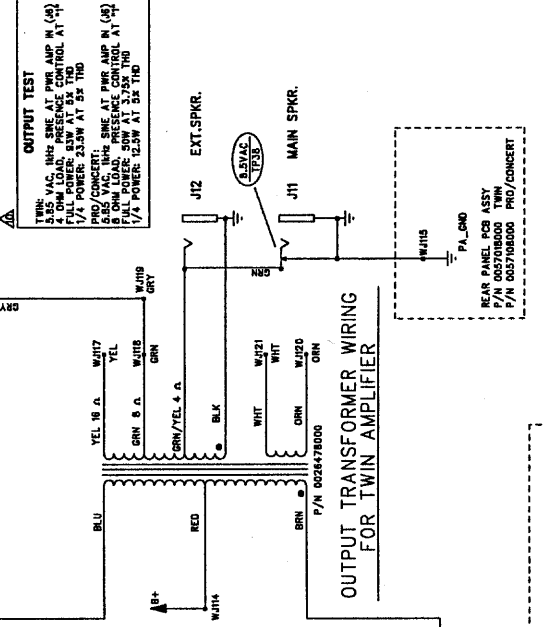
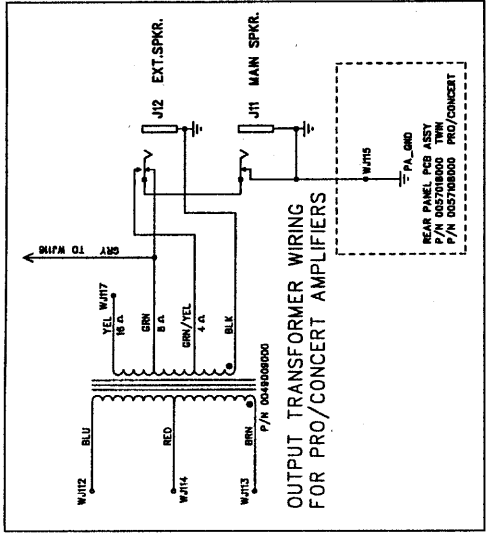
SHEET: 1 OF 4

1. VOLTAGES MEASURED WITH RESPECT TO GROUND WITH A DVM.
2. VOLTAGES MAY VARY +/- 20%
3. ALL PIPES ARE 1/4" DIA.
4. ALL DIMENSIONS ARE IN INCHES UNLESS OTHERWISE NOTED.
5. ALL DIMENSIONS ARE IN INCHES UNLESS OTHERWISE NOTED.
6. ALL DIMENSIONS ARE IN INCHES UNLESS OTHERWISE NOTED.
7. ALL DIMENSIONS ARE IN INCHES UNLESS OTHERWISE NOTED.
8. ALL DIMENSIONS ARE IN INCHES UNLESS OTHERWISE NOTED.
9. ALL DIMENSIONS ARE IN INCHES UNLESS OTHERWISE NOTED.
10. ALL DIMENSIONS ARE IN INCHES UNLESS OTHERWISE NOTED.

11. VOLTAGES MEASURED WITH RESPECT TO GROUND WITH A DVM.
12. VOLTAGES MAY VARY +/- 20%
13. ALL PIPES ARE 1/4" DIA.
14. ALL DIMENSIONS ARE IN INCHES UNLESS OTHERWISE NOTED.
15. ALL DIMENSIONS ARE IN INCHES UNLESS OTHERWISE NOTED.
16. ALL DIMENSIONS ARE IN INCHES UNLESS OTHERWISE NOTED.
17. ALL DIMENSIONS ARE IN INCHES UNLESS OTHERWISE NOTED.
18. ALL DIMENSIONS ARE IN INCHES UNLESS OTHERWISE NOTED.
19. ALL DIMENSIONS ARE IN INCHES UNLESS OTHERWISE NOTED.
20. ALL DIMENSIONS ARE IN INCHES UNLESS OTHERWISE NOTED.

REV.	DESCRIPTION	DATE	APPROVED
A	PR448	16-OCT-00	S.M.B.
B	EC 2606	23-FEB-01	S.M.B.

1 2 3 4 5 6 7 8



THIS DOCUMENT CONTAINS INFORMATION OF A CONFIDENTIAL NATURE AND IS LOANED TO YOU IN CONFIDENCE AND IS NOT TO BE DISCLOSED OR TRANSMITTED TO OTHERS WITHOUT AUTHORIZATION FROM FENDER MUSICAL INSTRUMENTS.

CHECKED BY: _____
DATE: _____

APPROVED BY: _____
DATE: _____

DRAWN: S. Boshard LEHR: M. COZZA
DATABASE FILE: 24485.rch

REV. B

SIZE D

DRAWING NUMBER 005701400

RELEASE DATE: 16-OCT-00 SHEET: 2 OF 4

FENDER MUSICAL INSTRUMENTS
Corona, CA USA

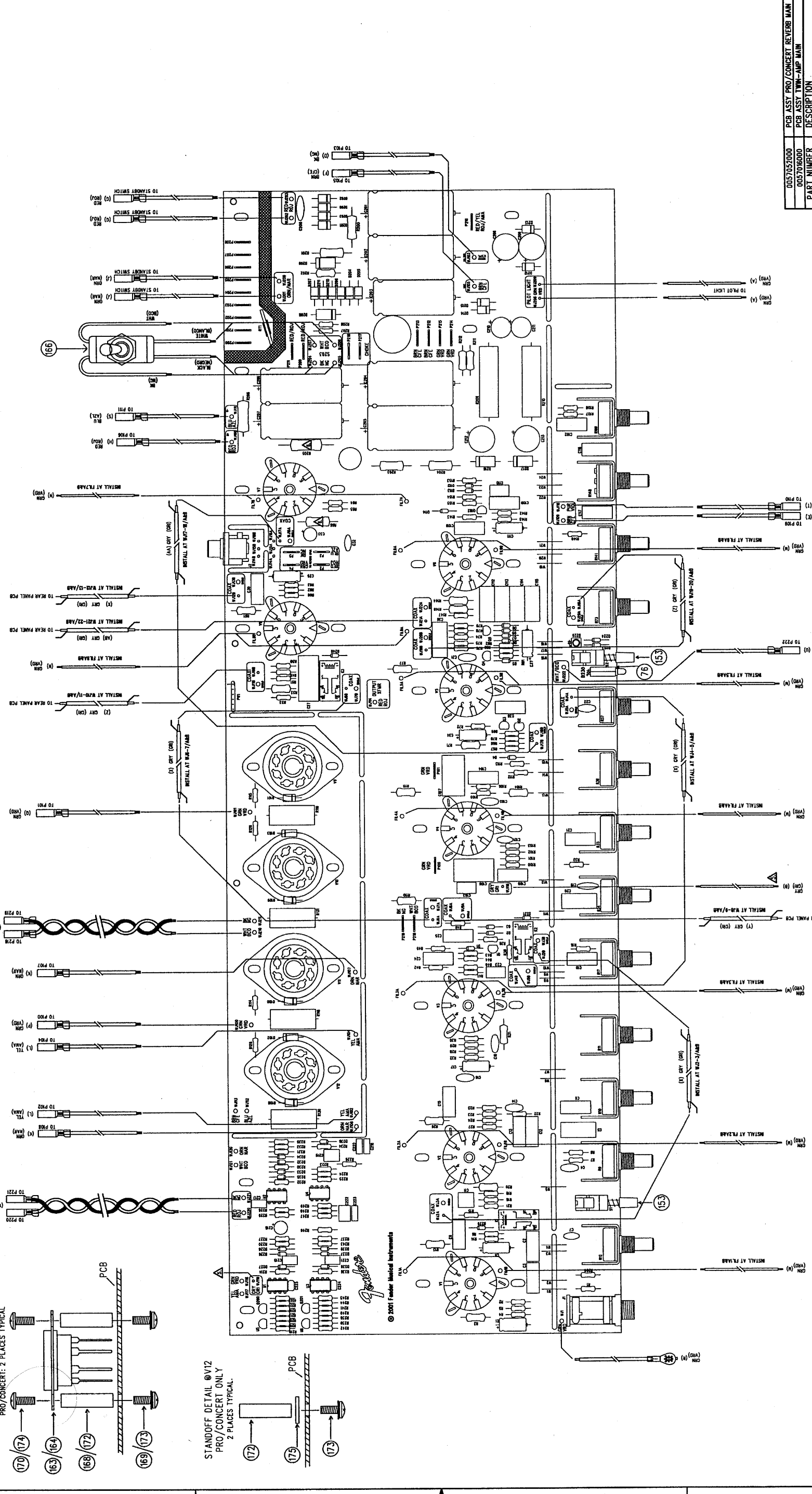
TITLE: SERVICE DIAGRAM, COMBINED (continued)
PRO-TUBE AMPS
POWER AMP

NOTES: (UNLESS OTHERWISE NOTED)

SEE PAGE 1

1 2 3 4 5 6 7 8

REVISIONS			
REV.	DESCRIPTION	DATE	APPROVED
A	PR44B	16-OCT-00	S.M.B.
B	EC 2606	23-FEB-01	S.M.B.



PART NUMBER	DESCRIPTION
0057052000	PCB ASSY PRO/CONCERT REVERB MAIN
0057016000	PCB ASSY TWIN-AMP MAIN

MUSICAL INSTRUMENTS
Corona, CA USA

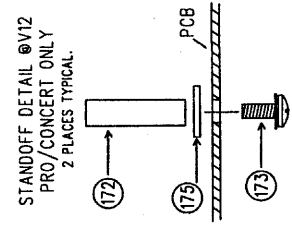
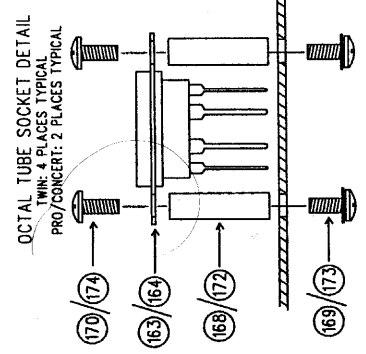
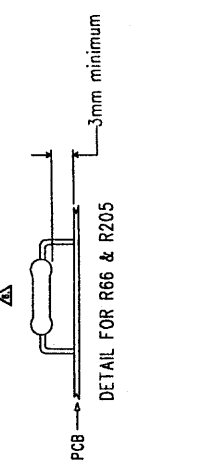
TITLE: SERVICE DIAGRAM, COMBINED (PCB assy)
PRO-TUBE AMPS
MAIN PCB

CHECKED BY: _____
DATE: _____
APPROVED BY: _____
DATE: _____
DRAWING NUMBER: 0057014000
RELEASE DATE: 16-OCT-00
SHEET 3 OF 4
DATABASE FILE: 2448P1PCB

THIS DOCUMENT CONTAINS INFORMATION OF A PROPRIETARY NATURE TO FENDER MUSICAL INSTRUMENTS AND SHALL NOT BE REPRODUCED OR TRANSMITTED IN ANY FORM OR BY ANY MEANS WITHOUT THE WRITTEN PERMISSION FROM FENDER MUSICAL INSTRUMENTS.

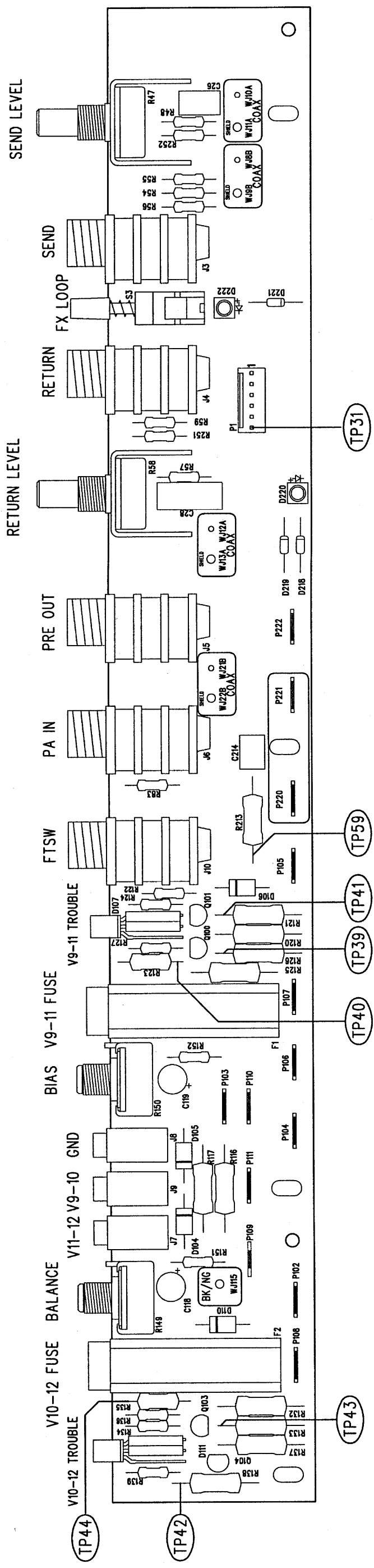
NOTES: (UNLESS OTHERWISE NOTED)
1. USE REV BY NAME NUMBER COMPARE TO ANECG C201-307.
2. LETTERS IN BRACKETS () REFER TO PCB BRACKET ITEMS.
3. SET-UP SIZE BRACKETS & THROUGH-HOLE FOR BOM.
4. THE FOLLOWING ITEMS ARE NOT STATED IN PRO/CONCERT ASSY:
TWIN WIRESET P/W 0057016000
TWIN WIRESET P/W 0057016000
NUMBERS IN CIRCLES REFER TO PCB ASSY. BILL OF MATERIALS ITEM NUMBERS.

FLM/PMC PCB ASSEMBLY DRAWING
DATABASE: 2448P1PCB DATE: 23-FEB-01



REVISIONS

REV.	DESCRIPTION	DATE	APPROVED
A	PR 448	16-OCT-00	S.M.B.
B	EC 2606	23-FEB-01	S.M.B.



FILM/DWG: SERVICE DIAGRAM
 DATABASE: Z448P2.PCB DATE: 16-OCT-00

THIS DOCUMENT CONTAINS INFORMATION OF A PROPRIETARY NATURE TO FENDER MUSICAL INSTRUMENTS AND IS SUBMITTED TO YOU IN CONFIDENCE AND SHALL NOT BE DISCLOSED OR TRANSMITTED TO OTHERS WITHOUT AUTHORIZATION FROM FENDER MUSICAL INSTRUMENTS.

Fender
 MUSICAL INSTRUMENTS
 Corona, CA U.S.A.

TITLE: SERVICE DIAGRAM, COMBINED (PCB assy)
 PRO-TUBE AMPS
 REAR PANEL PCB

CHECKED BY: _____
 DATE: _____
 APPROVED BY: _____
 DATE: _____
 DRAWN: S.Bankhead ENGR: S.Bankhead
 DATABASE FILE: Z448P2.PCB

SIZE: B DRAWING NUMBER: 0057014000 REV. B
 RELEASE DATE: 16-OCT-00 SHEET 4 OF 4

2. SEE PAGE 1 FOR NOTES AND TEST CONDITIONS
 1. WIRES NOT SHOWN FOR CLARITY
 NOTES: (UNLESS OTHERWISE NOTED)