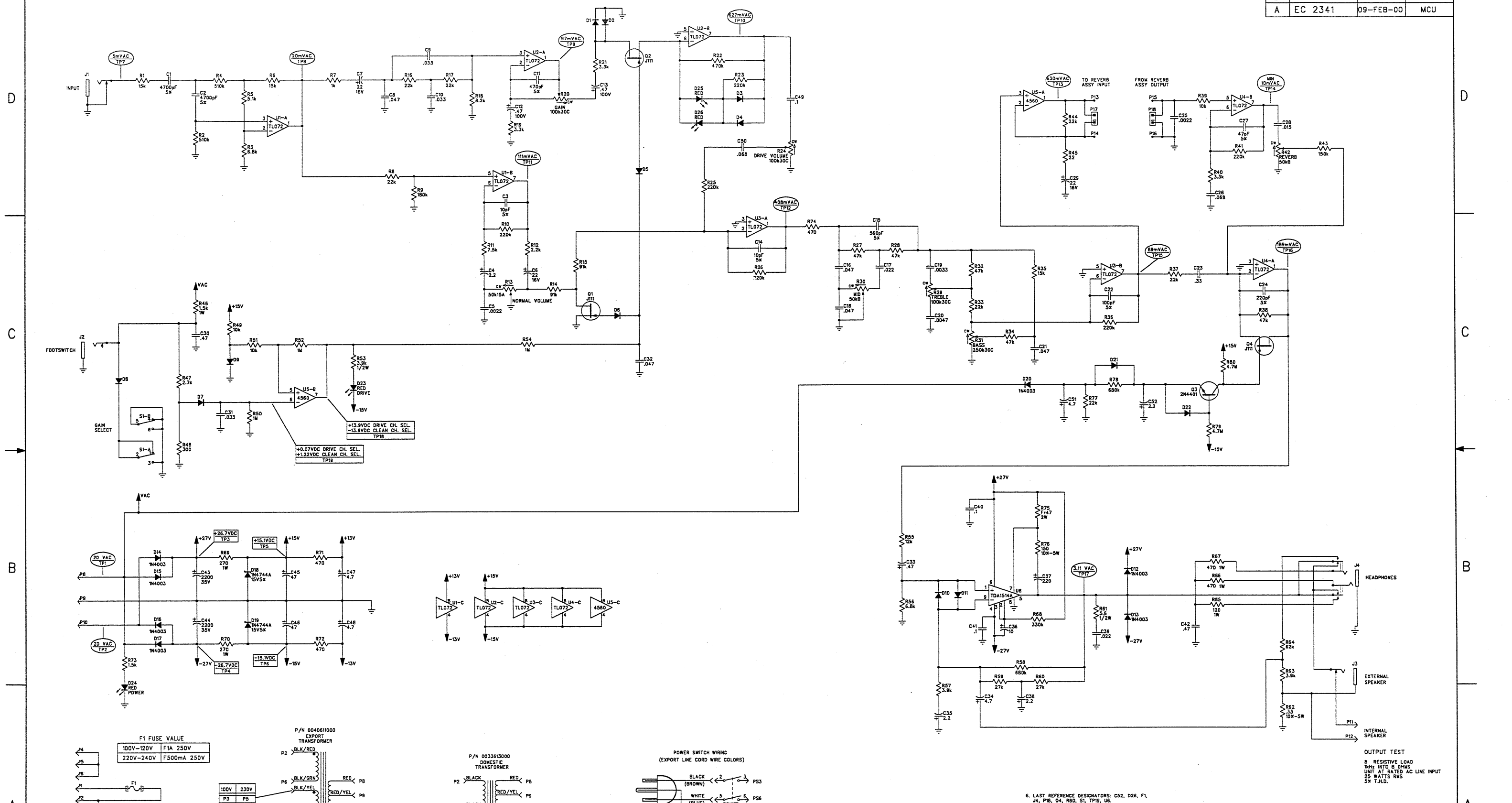


REVISIONS			
REV.	DESCRIPTION	DATE	APPROVED
A	EC 2341	09-FEB-00	MCU



F1 FUSE VALUE

100V-120V	F1A 250V
220V-240V	F500mA 250V

STAKE-ON FOR STORAGE ONLY

P/N 0040611000 EXPORT TRANSFORMER

100V	230V	P3	P5
P56	P7	WHITE	
P4	P56	BLACK	
P1	P56	VIOLET	
P1	P56	VIO/WHI	

EXPORT UNITS:
THE TRANSFORMER VIOLET WIRE CONNECTS TO P3.
THE TRANSFORMER VIOLET/WHITE WIRE CONNECTS TO P1.

P/N 0033613000 DOMESTIC TRANSFORMER

P2	BLACK	P8	RED
P2	BLACK	P8	RED/YEL
P56	BLACK	P9	RED/YEL
P56	BLACK	P9	RED

DOMESTIC UNITS:
A WHITE WIRE CONNECTS P3 TO P1.

POWER SWITCH WIRING (EXPORT LINE CORD WIRE COLORS)

BLACK (BROWN)	← 2 →	P53
WHITE (BLUE)	← 5 →	P56
GREEN / YEL	← 7 →	

6. LAST REFERENCE DESIGNATORS: C52, D26, F1, J4, P18, C4, R60, S1, TP8, U8.

5. AC VOLTAGE READINGS TAKEN WITH DVM TO GROUND UNDER THE FOLLOWING CONDITIONS:
18Hz INPUT APPLIED AT J1.
B: RESISTIVE LOAD CONNECTED AT P11, P12 NO FOOTSWITCH SELECT "ON" GAIN AT 9 O'CLOCK REVERB "0" ALL OTHER CONTROLS SET AT 12 O'CLOCK REVERB PAN CONNECTED

4. DC VOLTAGES READ TO GROUND WITH A DVM, NO INPUT SIGNAL.

3. ALL POLARIZED CAPACITORS IN uF; 50V, 20X.
2. ALL UNPOLARIZED CAPACITORS IN uF; 50V, 5X.
1. ALL RESISTORS IN OHMS; 1/4W, 5X.

NOTES: (UNLESS OTHERWISE NOTED)

THIS DOCUMENT CONTAINS INFORMATION OF A PROPRIETARY NATURE TO FENDER MUSICAL INSTRUMENTS AND IS SUBMITTED TO YOU IN CONFIDENCE AND SHALL NOT BE DISCLOSED OR TRANSMITTED TO OTHERS WITHOUT AUTHORIZATION FROM FENDER MUSICAL INSTRUMENTS.

CHECKED BY: *[Signature]*
DATE: 09-18-00

APPROVED BY: *[Signature]*
DATE: 09-FEB-00

DRAWN: MULRICH ENCR:SAMS/ULRICH
DATABASE FILE: Z356S.SCH

Fender MUSICAL INSTRUMENTS
2621 Research Drive
Corona, CA 91720 USA

TITLE: SERVICE DIAGRAM, COMBINED (schematic)
FRONTMAN 25R

SIZE DRAWING NUMBER
D 0056322000

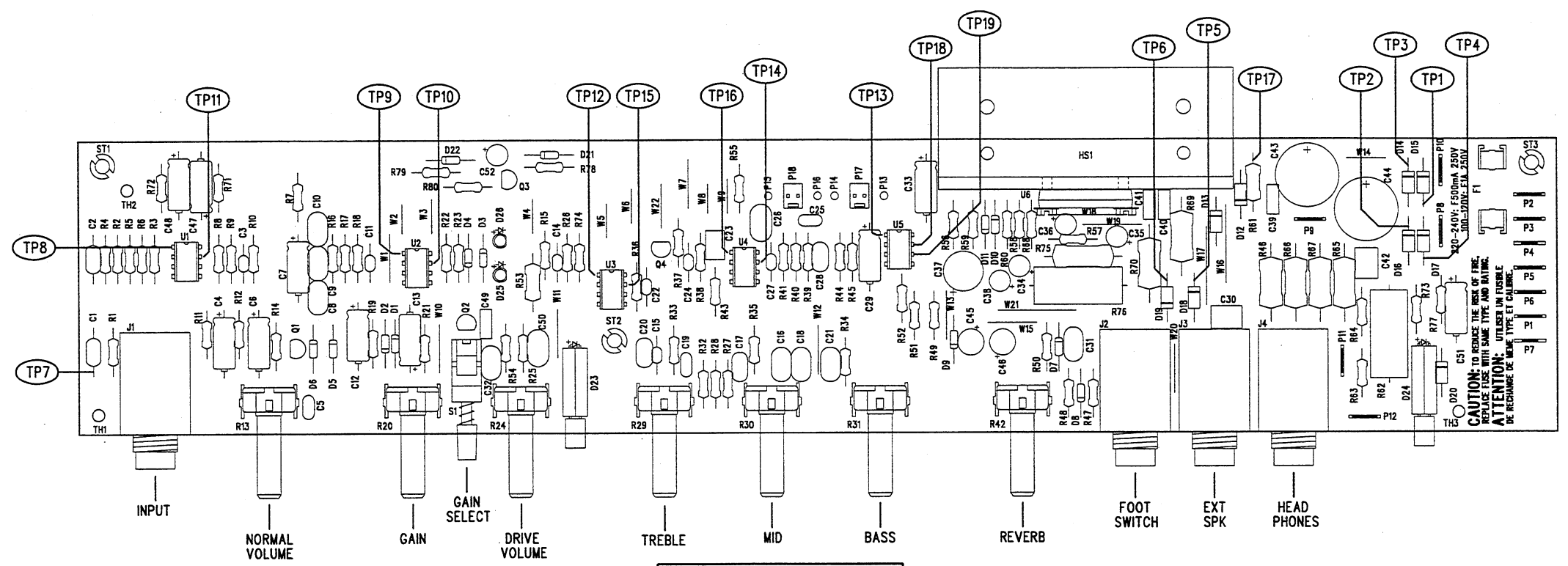
REV. **A**

RELEASE DATE: 09-FEB-00 SHEET: 1 OF 2

OUTPUT TEST
8 RESISTIVE LOAD
1kHz INTO 8 OHMS
LIMIT AT RATED AC LINE INPUT
25 WATTS RMS
5X T.H.D.

8 7 6 5 4 3 2 1


REVISIONS			
REV.	DESCRIPTION	DATE	APPROVED
A	EC 2341	09-FEB-00	MCU



FILM/DWG: SERVICE DIAGRAM
 DATABASE: Z356P.PCB DATE: 09-FEB-00

CAUTION: TO REDUCE THE RISK OF FIRE,
 REPLACE FUSE WITH SAME TYPE AND RATING.
 ATTENTION: UTILISER UN FUSIBLE
 DE MÊME TYPE ET CALIBRE.

1. SEE SHEET 1 FOR PRIMARY WIRING, SWITCH DETAIL,
 TEST CONDITIONS AND TEST POINT VALUES.
 NOTES: (UNLESS OTHERWISE NOTED)

THIS DOCUMENT CONTAINS INFORMATION OF A PROPRIETARY NATURE TO FENDER MUSICAL INSTRUMENTS AND IS SUBMITTED TO YOU IN CONFIDENCE AND SHALL NOT BE DISCLOSED OR TRANSMITTED TO OTHERS WITHOUT AUTHORIZATION FROM FENDER MUSICAL INSTRUMENTS.		 MUSICAL INSTRUMENTS 2621 Research Drive Corona, CA 91720 USA	
CHECKED BY: <u>B. Dem</u>	DATE: <u>09-FEB-00</u>	TITLE: SERVICE DIAGRAM, COMBINED (PCB assy) FRONTMAN 25R	
APPROVED BY: <u>MULRICH</u>	DATE: <u>09-FEB-00</u>	SIZE: C	DRAWING NUMBER: 0056322000
DRAWN: MULRICH	ENGR: MULRICH	RELEASE DATE: 09-FEB-00	SHEET 2 OF 2
DATABASE FILE: Z356P.PCB		REV. A	

8 7 6 5 4 3 2 1