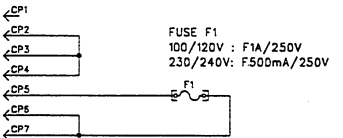
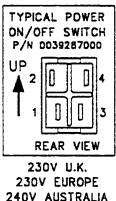
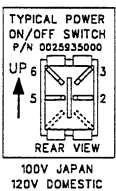
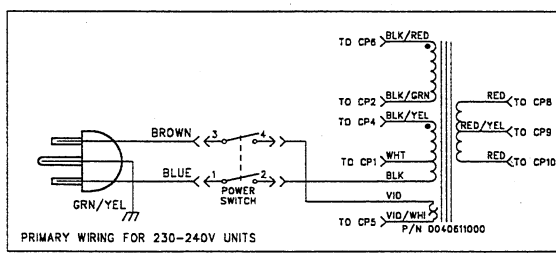
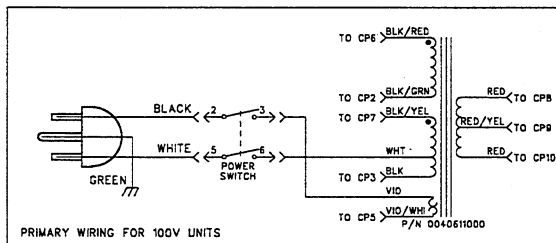
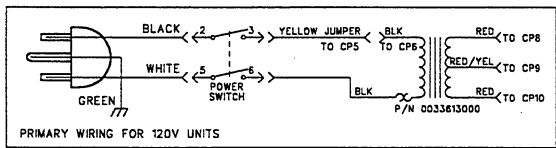
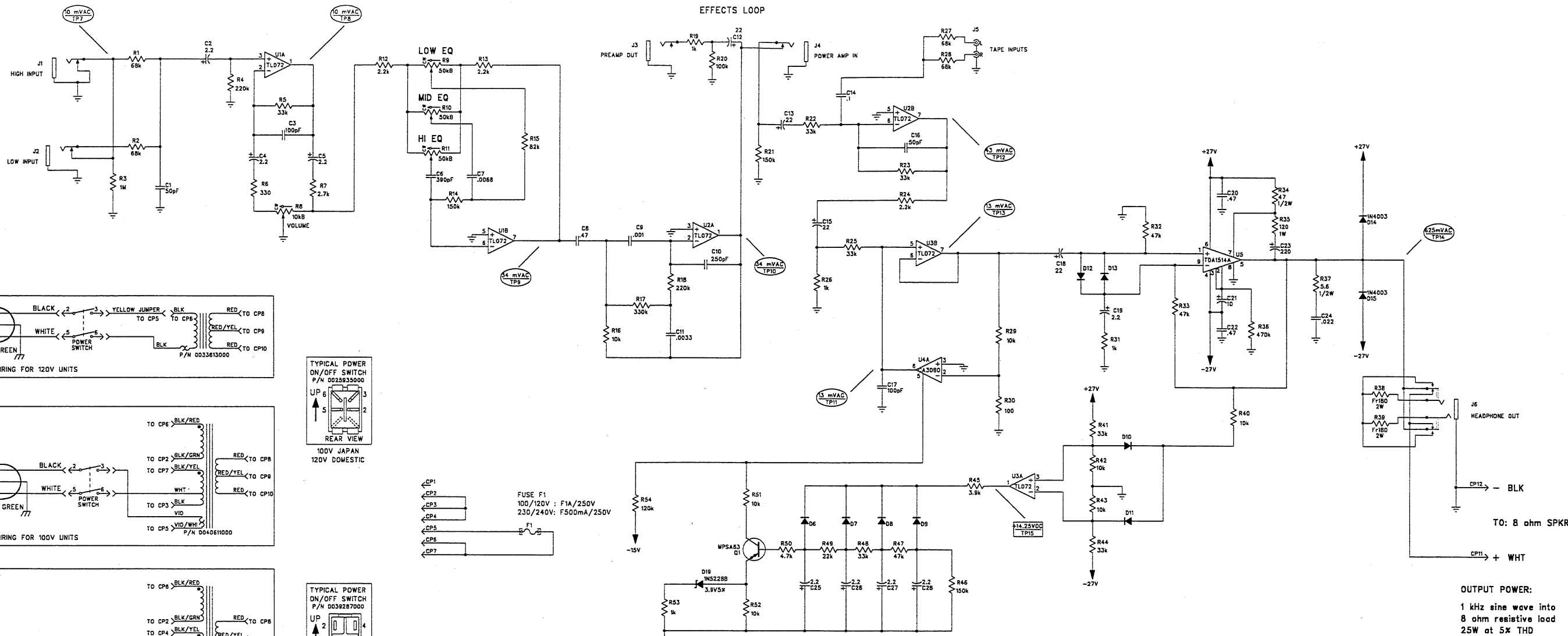
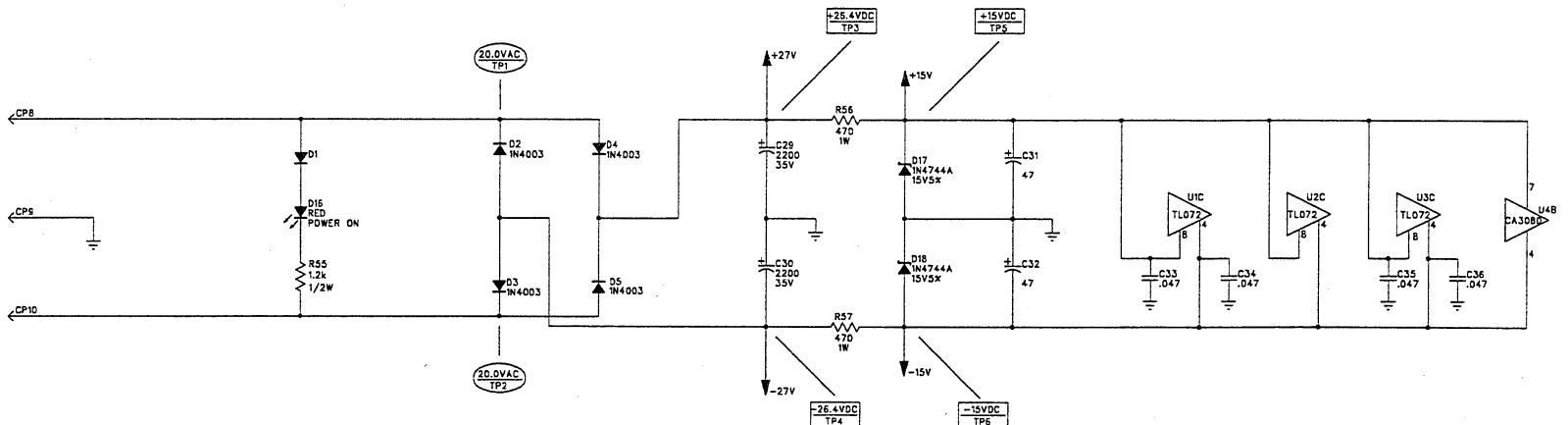


REVISIONS			
REV.	DESCRIPTION	DATE	APPROVED
A	EC 2330	28-JUL-99	GCJ



OUTPUT POWER:
1 kHz sine wave into
8 ohm resistive load
25W at 5% THD



- AC VOLTAGE READINGS TAKEN WITH A DVM UNDER THE FOLLOWING CONDITIONS:
INPUT = SINE WAVE, 1KHz, 10mV
LOAD = 8 ohm RESISTIVE, CONNECTED BETWEEN CP11 AND CP12
ALL CONTROLS SET TO 12 O'CLOCK POSITION
 - THIS SCHEMATIC IS FOR PCB FABRICATION P/N 0055870000 AND PCB ASSEMBLY P/N 0055835000.
 - ALL DIODES ARE 1N4448.
 - ALL POLARIZED CAPACITORS IN uF, 20% 50V MINIMUM.
 - ALL UNPOLARIZED CAPACITORS IN uF, 10% OR BETTER, 50V MINIMUM. (POWER SUPPLY BYPASS CAPACITORS ARE 20%).
 - ALL RESISTORS IN OHMS, 5% 1/4W.
- NOTES: (UNLESS OTHERWISE NOTED)

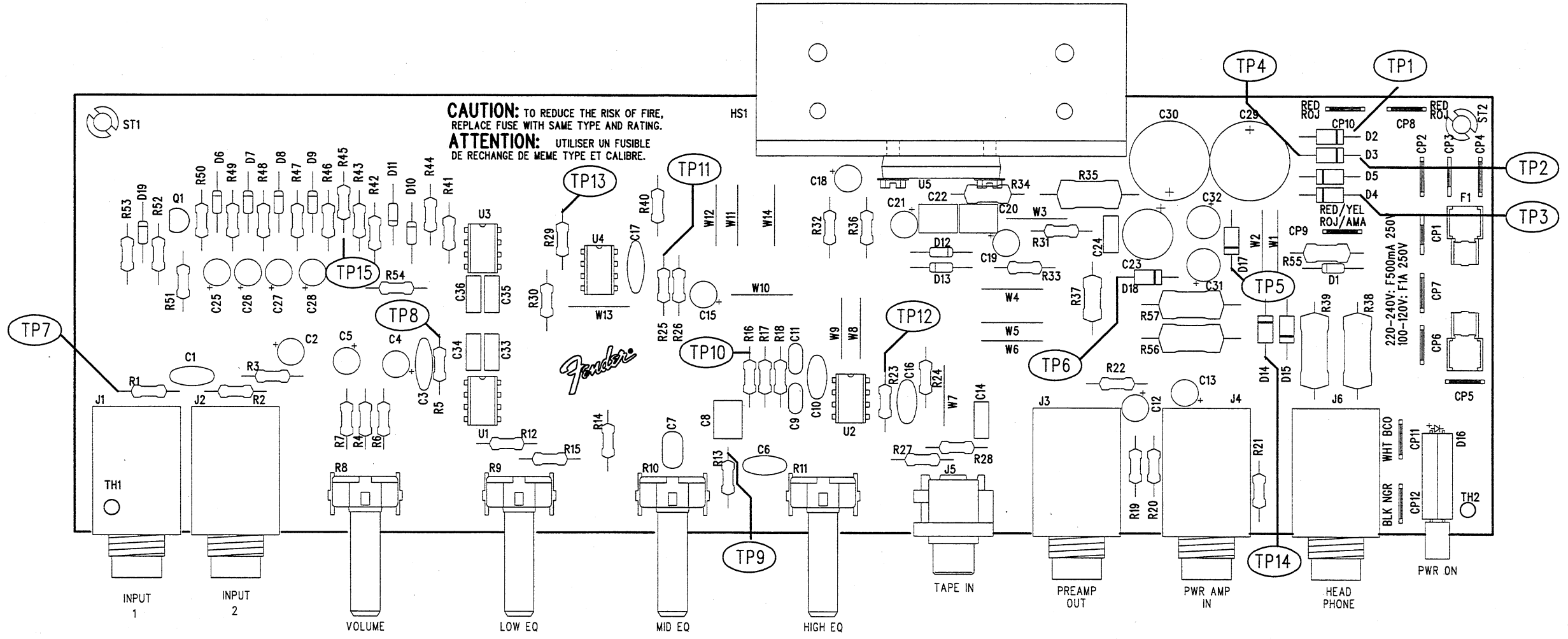
THIS DOCUMENT CONTAINS INFORMATION OF A PROPRIETARY NATURE TO FENDER MUSICAL INSTRUMENTS AND IS SUBMITTED TO YOU IN CONFIDENCE AND SHALL NOT BE DISCLOSED OR TRANSMITTED TO OTHERS WITHOUT AUTHORIZATION FROM FENDER MUSICAL INSTRUMENTS.

Fender MUSICAL INSTRUMENTS
2621 Research Drive
Corona, CA 91720 USA

CHECKED BY: *B. Don*
DATE: 27-SEP-99
APPROVED BY: *J. J. Gagliardi*
DATE: 27-SEP-99
DRAWN: GCJ ENGR: GCJ
DATABASE FILE: Z4305.SCH

TITLE: SERVICE DIAGRAM, COMBINED (schematic)
FRONTMAN 25B
SIZE: DRAWING NUMBER
D 0055823000
REV. A
RELEASE DATE: 28 JUL 99 SHEET: 1 OF 2

REVISIONS			
REV.	DESCRIPTION	DATE	APPROVED
A	EC 2330	08-AUG-99	GCJ



FILM/DWG: SERVICE DIAGRAM
 DATABASE: Z430P.PCB DATE: 12-AUG-99

1. SEE SHEET 1 FOR PRIMARY WIRING, TEST CONDITIONS, AND TEST POINT VALUES

NOTES: (UNLESS OTHERWISE NOTED)

THIS DOCUMENT CONTAINS INFORMATION OF A PROPRIETARY NATURE TO FENDER MUSICAL INSTRUMENTS AND IS SUBMITTED TO YOU IN CONFIDENCE AND SHALL NOT BE DISCLOSED OR TRANSMITTED TO OTHERS WITHOUT AUTHORIZATION FROM FENDER MUSICAL INSTRUMENTS.

CHECKED BY: Allen
 DATE: 24-SEP-99

APPROVED BY: G. Jorgensen
 DATE: 27-SEP-99

DRAWN: GCJ ENGR: G. Jorgensen
 DATABASE FILE: Z430P.PCB

Fender MUSICAL INSTRUMENTS
 2621 Research Drive
 Corona, CA 91720 USA

TITLE: SERVICE DIAGRAM, COMBINED (PCB assy)
 Frontman 25B

SIZE	DRAWING NUMBER	REV.
B	0055823000	A

RELEASE DATE: 17-AUG-99 SHEET 2 OF 2