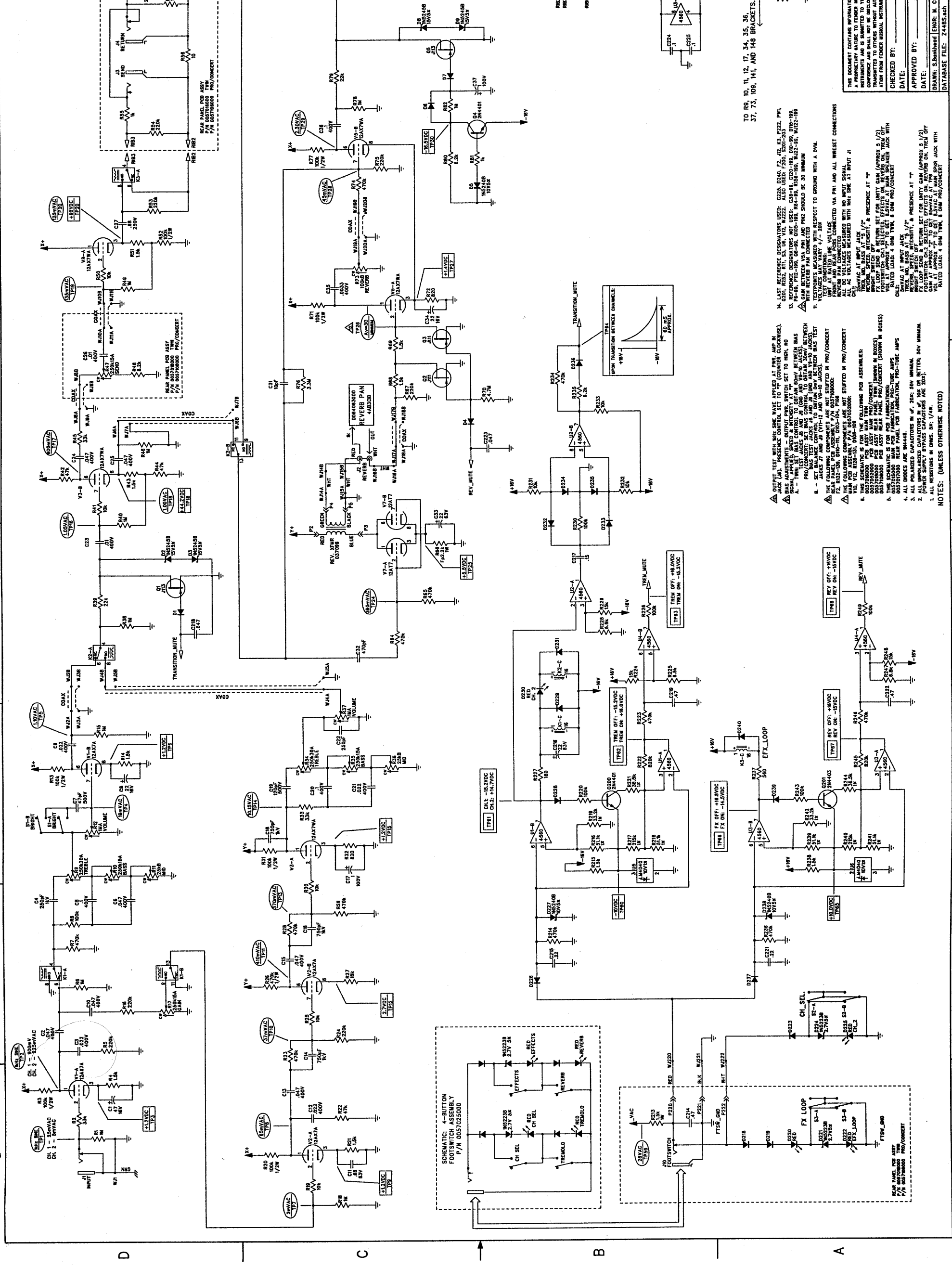


REV.	DESCRIPTION	DATE	APPROVED
A	PR448	16-OCT-00	S.M.B.
B	EC 2606	23-FEB-01	S.M.B.



REV.	DESCRIPTION	DATE	APPROVED
A	PR448	16-OCT-00	S.M.B.
B	EC 2606	23-FEB-01	S.M.B.

MUSICAL INSTRUMENTS
Corona, CA USA

TITLE: SERVICE DIAGRAM, COMBINED (+channel)
PRE-AMP

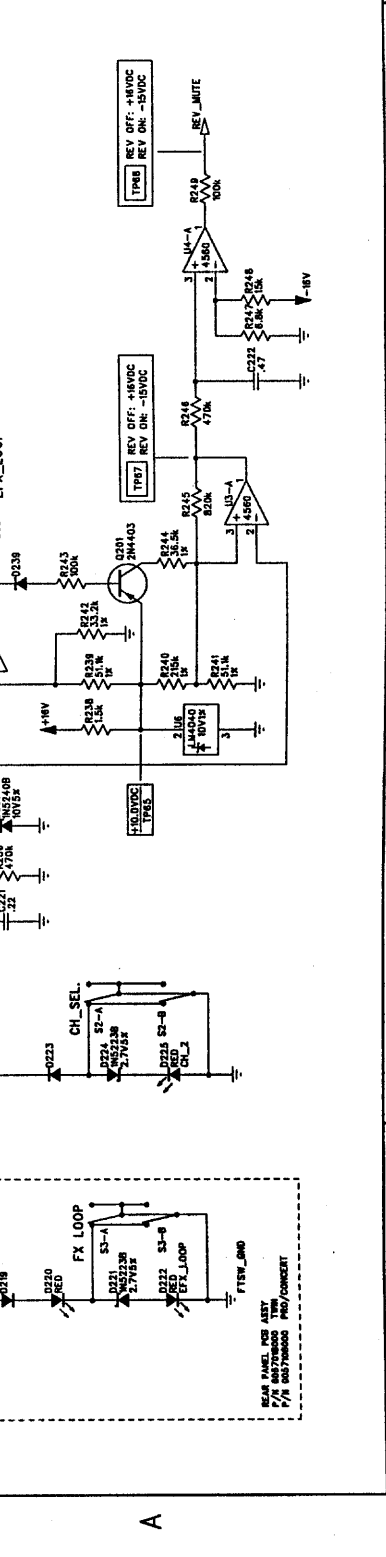
DATE: 16-OCT-00
DRAWN: S. SHANAHAN
CHECKED BY: M. COZZA

APPROVED BY: S.M.B.
DATE: 23-FEB-01

SIZE: D
DRAWING NUMBER: 005701400

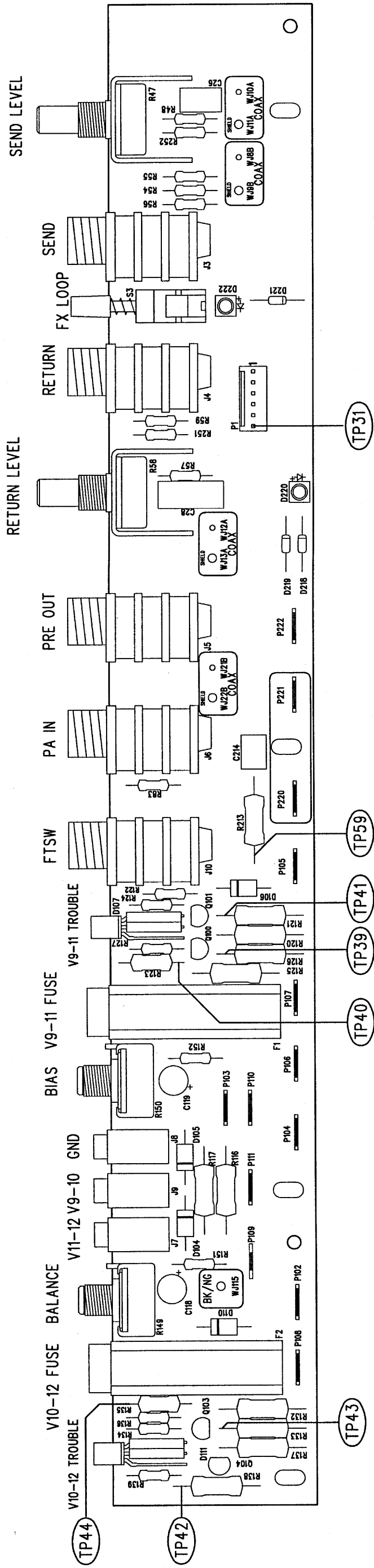
RELEASE DATE: 16-OCT-00 | SHEET: 1 OF 4

1. VOLTAGES MEASURED WITH RESPECT TO GROUND WITH A DVM.
2. VOLTAGES MAY VARY +/- 20%.
3. ALL PAGES ARE 100%.
4. ALL DIMENSIONS ARE IN INCHES UNLESS OTHERWISE NOTED.
5. ALL DIMENSIONS ARE IN INCHES UNLESS OTHERWISE NOTED.
6. ALL DIMENSIONS ARE IN INCHES UNLESS OTHERWISE NOTED.
7. ALL DIMENSIONS ARE IN INCHES UNLESS OTHERWISE NOTED.
8. ALL DIMENSIONS ARE IN INCHES UNLESS OTHERWISE NOTED.
9. ALL DIMENSIONS ARE IN INCHES UNLESS OTHERWISE NOTED.
10. ALL DIMENSIONS ARE IN INCHES UNLESS OTHERWISE NOTED.
11. ALL DIMENSIONS ARE IN INCHES UNLESS OTHERWISE NOTED.
12. ALL DIMENSIONS ARE IN INCHES UNLESS OTHERWISE NOTED.
13. ALL DIMENSIONS ARE IN INCHES UNLESS OTHERWISE NOTED.
14. ALL DIMENSIONS ARE IN INCHES UNLESS OTHERWISE NOTED.
15. ALL DIMENSIONS ARE IN INCHES UNLESS OTHERWISE NOTED.
16. ALL DIMENSIONS ARE IN INCHES UNLESS OTHERWISE NOTED.
17. ALL DIMENSIONS ARE IN INCHES UNLESS OTHERWISE NOTED.
18. ALL DIMENSIONS ARE IN INCHES UNLESS OTHERWISE NOTED.
19. ALL DIMENSIONS ARE IN INCHES UNLESS OTHERWISE NOTED.
20. ALL DIMENSIONS ARE IN INCHES UNLESS OTHERWISE NOTED.



REVISIONS

REV.	DESCRIPTION	DATE	APPROVED
A	PR 448	16-OCT-00	S.M.B.
B	EC 2606	23-FEB-01	S.M.B.



FILM/DWG: SERVICE DIAGRAM
 DATABASE: Z448P2.PCB DATE: 16-OCT-00

THIS DOCUMENT CONTAINS INFORMATION OF A PROPRIETARY NATURE TO FENDER MUSICAL INSTRUMENTS AND IS SUBMITTED TO YOU IN CONFIDENCE AND SHALL NOT BE DISCLOSED OR TRANSMITTED TO OTHERS WITHOUT AUTHORIZATION FROM FENDER MUSICAL INSTRUMENTS.

CHECKED BY: _____
 DATE: _____
 APPROVED BY: _____
 DATE: _____
 DRAWN: S.Bankhead ENGR: S.Bankhead
 DATABASE FILE: Z448P2.PCB

Fender
 MUSICAL INSTRUMENTS
 Corona, CA U.S.A.

TITLE: SERVICE DIAGRAM, COMBINED (PCB assy)
 PRO-TUBE AMPS
 REAR PANEL PCB

SIZE: B DRAWING NUMBER: 0057014000 REV. B
 RELEASE DATE: 16-OCT-00 SHEET 4 OF 4

2. SEE PAGE 1 FOR NOTES AND TEST CONDITIONS
 1. WIRES NOT SHOWN FOR CLARITY
 NOTES: (UNLESS OTHERWISE NOTED)