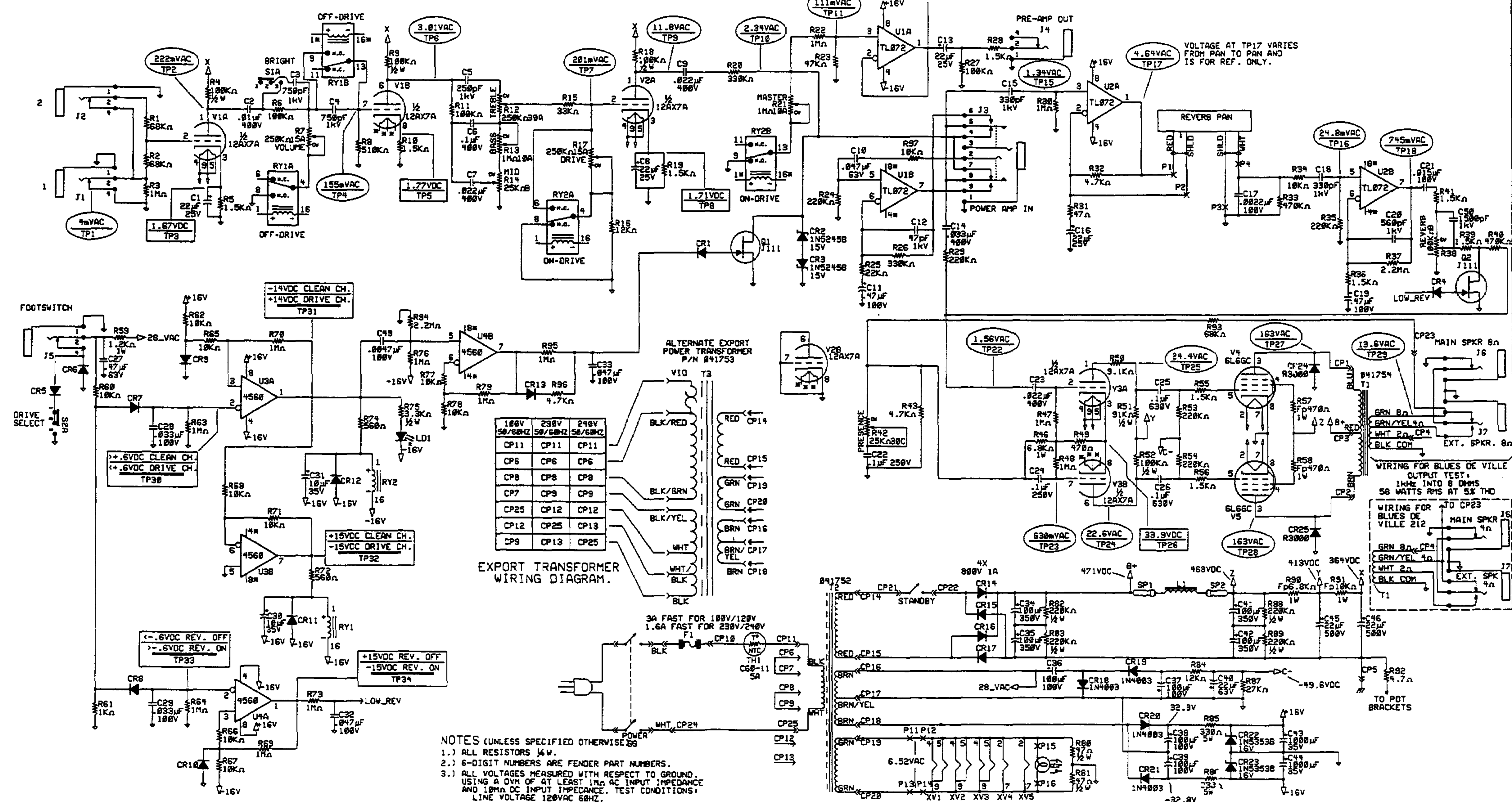


REVISIONS				
ZONE	REV.	DESCRIPTION	DATE	APPROVED
	A	RELEASED PR #247	17-SEP-93	PW
	B	EC 1067	11-NOV-93	PW
	C	EC 1084	09-DEC-93	PW
	D	PR 267	21-DEC-93	PW
	E	EC 1112	08-FEB-94	PW



- NOTES (UNLESS SPECIFIED OTHERWISE)
- 1.) ALL RESISTORS 1/4W.
  - 2.) 6-DIGIT NUMBERS ARE FENDER PART NUMBERS.
  - 3.) ALL VOLTAGES MEASURED WITH RESPECT TO GROUND. USING A DVM OF AT LEAST 1MΩ AC INPUT IMPEDANCE AND 10MΩ DC INPUT IMPEDANCE. TEST CONDITIONS: LINE VOLTAGE 120VAC 60HZ. FOOTSWITCH CONNECTED, DRIVE CH SELECTED, REV. OFF. ALL CONTROLS 50% ROT. EXCEPT REVERB 0%. SUPPLY AND BIAS VOLTAGES MAY VARY +5%, -10%. SIGNAL VOLTAGES MAY VARY ±20%.
  - 4.) X WITH INSTANCE NAME - FLYWIRE CONNECTION.
  - 5.) INSTANCES NOT USED: R44,45,C47,48,TP13,14.
  - 6.) LAST INSTANCES: RY2,LD1,U4,C2,TH1,R97,C50,CR25,T2,S3,CP25 V5,LA1,P16,J7,F1.
  - 7.) ALL DIODES 1N4448.

DATABASE FILE: 22475.CBF CHECKED BY: DATE: APPROVED: DATE:	<b>PROPRIETARY</b> THIS DRAWING DOCUMENT CONTAINS INFORMATION WHICH IS PROPRIETARY TO AND IS THE PROPERTY OF THE FENDER MUSICAL INSTRUMENTS CO. AND NOT BE USED, REPRODUCED OR DISCLOSED IN ANY MANNER WITHOUT THE EXPRESS WRITTEN CONSENT FROM: FENDER MUSICAL INSTRUMENTS CO. 1130 COLUMBIA ST. BREA, CALIFORNIA 92621 DRAWN: P. WIERS TITLE: SCHEMATIC DIAGRAM BLUES DE VILLE AND BLUES DE VILLE 212 SIZE: D DRAWING NUMBER: 047003 CREATED: 03-SEP-93 PLOTTED: 08-FEB-94 SHEET 1 OF 1
---	--

PART NO 0047004000 SHEET