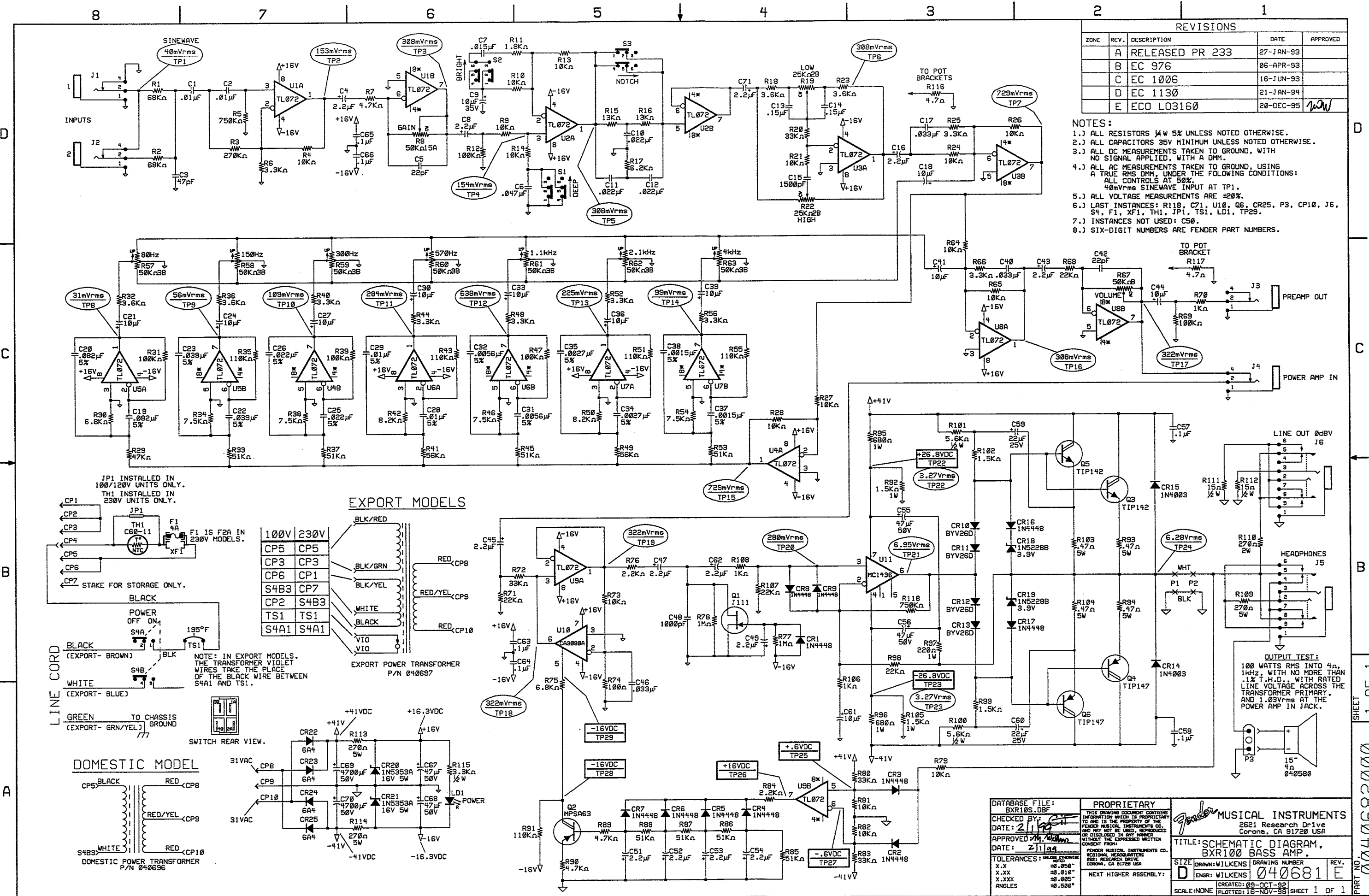


REVISIONS				
ZONE	REV.	DESCRIPTION	DATE	APPROVED
	A	RELEASED PR 233	27-JAN-93	
	B	EC 976	06-APR-93	
	C	EC 1006	16-JUN-93	
	D	EC 1130	21-JAN-94	
	E	ECO L03160	28-DEC-95	<i>WJW</i>

- NOTES:
- ALL RESISTORS 1/4W 5% UNLESS NOTED OTHERWISE.
  - ALL CAPACITORS 35V MINIMUM UNLESS NOTED OTHERWISE.
  - ALL DC MEASUREMENTS TAKEN TO GROUND, WITH NO SIGNAL APPLIED, WITH A DMM.
  - ALL AC MEASUREMENTS TAKEN TO GROUND, USING A TRUE RMS DMM, UNDER THE FOLLOWING CONDITIONS:  
ALL CONTROLS AT 50%.  
40mVrms SINEWAVE INPUT AT TP1.
  - ALL VOLTAGE MEASUREMENTS ARE ±20%.
  - LAST INSTANCES: R118, C71, U10, Q6, CR25, P3, CP10, J6, S4, F1, XF1, TH1, JP1, TS1, LD1, TP29.
  - INSTANCES NOT USED: C50.
  - SIX-DIGIT NUMBERS ARE FENDER PART NUMBERS.



DATABASE FILE: BXR100.DBF  
 CHECKED BY: *[Signature]*  
 DATE: 2/1/94  
 APPROVED BY: *[Signature]*  
 DATE: 2/1/94  
 TOLERANCES: UNLESS OTHERWISE NOTED  
 X.X ±0.05"  
 X.XX ±0.01"  
 X.XXX ±0.005"  
 ANGLES ±0.500°

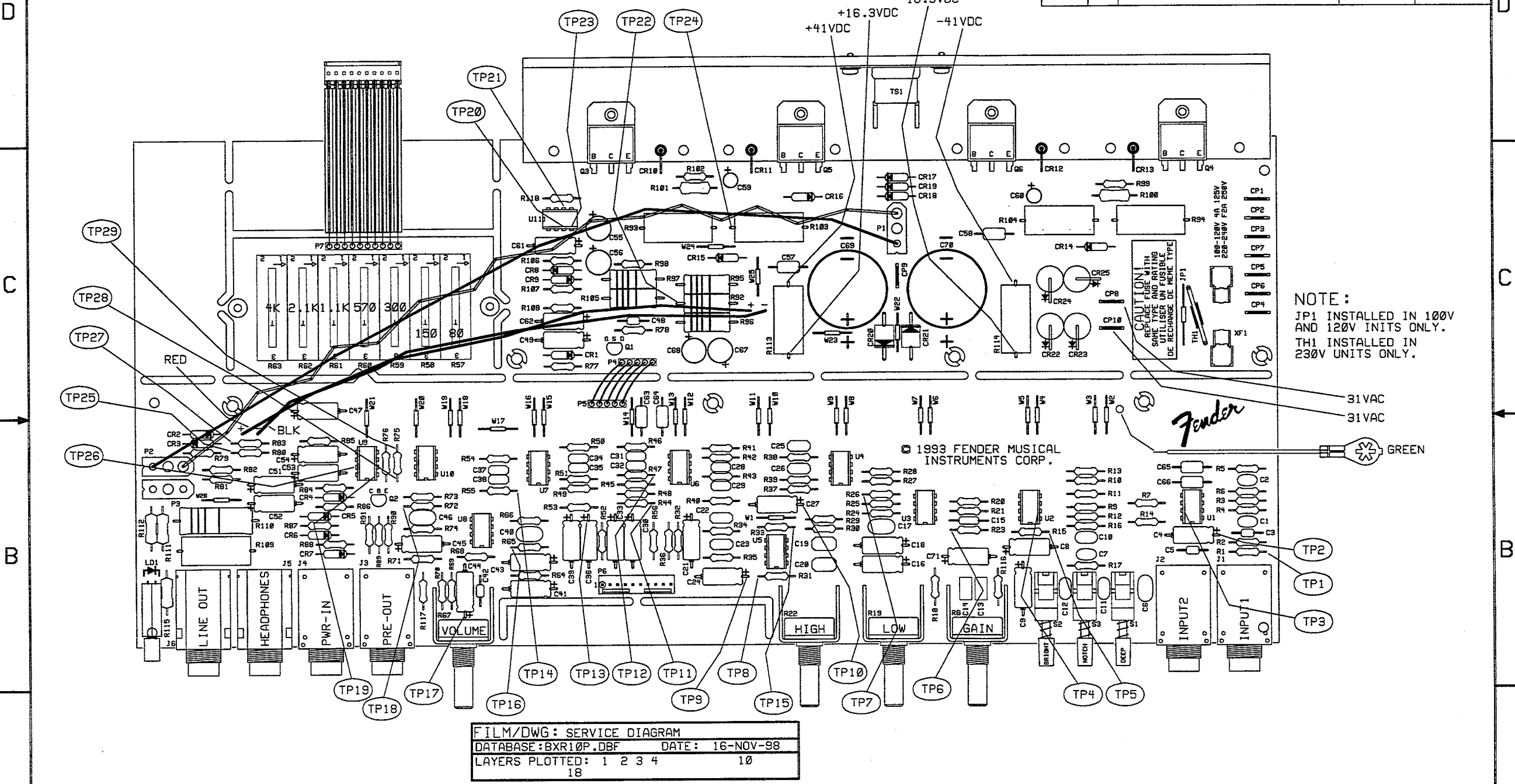
**PROPRIETARY**  
 THIS DRAWING DOCUMENT CONTAINS INFORMATION WHICH IS PROPRIETARY TO AND IS THE PROPERTY OF THE FENDER MUSICAL INSTRUMENTS CO. AND MAY NOT BE USED, REPRODUCED OR DISCLOSED IN ANY MANNER WITHOUT THE EXPRESSED WRITTEN CONSENT FROM:  
 FENDER MUSICAL INSTRUMENTS CO.  
 REGIONAL HEADQUARTERS  
 2621 RESEARCH DRIVE  
 CORONA, CA 91720 USA

**FENDER MUSICAL INSTRUMENTS**  
 2621 RESEARCH DRIVE  
 CORONA, CA 91720 USA  
 TITLE: SCHEMATIC DIAGRAM, BXR100 BASS AMP.  
 SIZE: DRAWN: WILKENS | DRAWING NUMBER: 040681 E  
 ENGR: WILKENS  
 CREATED: 09-OCT-92  
 PLOTTED: 18-NOV-93 | SHEET 1 OF 1

PART NO. 0040682000 SHEET 1 OF 1

8 7 6 5 4 3 2 1

REVISIONS				
ZONE	REV.	DESCRIPTION	DATE	APPROVED
	A	RELEASED PR 233	27-JAN-93	
	B	EC 976	06-APR-93	
	C	EC 1130	24-FEB-94	<i>AW</i>



NOTE:  
 JP1 INSTALLED IN 100V  
 AND 120V UNITS ONLY.  
 TH1 INSTALLED IN  
 230V UNITS ONLY.

FILM/DWG: SERVICE DIAGRAM  
 DATABASE: BXR10P.DBF DATE: 16-NOV-98  
 LAYERS PLOTTED: 1 2 3 4 10  
 18

NOTES:  
 1.) PCB SHOWN AS FABRICATED.  
 2.) INSTANCES NOT USED: C50.

DATABASE FILE: BXR10P.DBF CHECKED BY: <i>CF</i> DATE: <i>2/1/99</i> APPROVED: <i>M. Wilkens</i> DATE: <i>2/1/99</i> TOLERANCES: UNLESS OTHERWISE NOTED X.X ±0.050" X.XX ±0.010" X.XXX ±0.005" ANGLES ±0.500°	<b>PROPRIETARY</b> THIS DRAWING DOCUMENT CONTAINS INFORMATION WHICH IS PROPRIETARY TO AND IS THE PROPERTY OF THE FENDER MUSICAL INSTRUMENTS CO. AND MAY NOT BE USED, REPRODUCED OR DISCLOSED IN ANY MANNER WITHOUT THE EXPRESSED WRITTEN CONSENT FROM: FENDER MUSICAL INSTRUMENTS CO. REGIONAL HEADQUARTERS 2621 RESEARCH DRIVE CORONA, CA 91720 USA BY BASSIST FOR BASSISTS. NEXT HIGHER ASSEMBLY: BXR100 BASS AMP.	<b>Fender</b> MUSICAL INSTRUMENTS 2621 Research Drive Corona, CA 91720 USA TITLE: SERVICE DIAGRAM, BXR100 BASS AMP. SIZE: <b>B</b> DRAWN: WILKENS ENGR: WILKENS DRAWING NUMBER: 040683 REV. C CREATED: 06-JAN-93 PLOTTED: 16-NOV-98 SHEET 1 OF 1
--	---	--

8 7 6 5 4 3 2 1